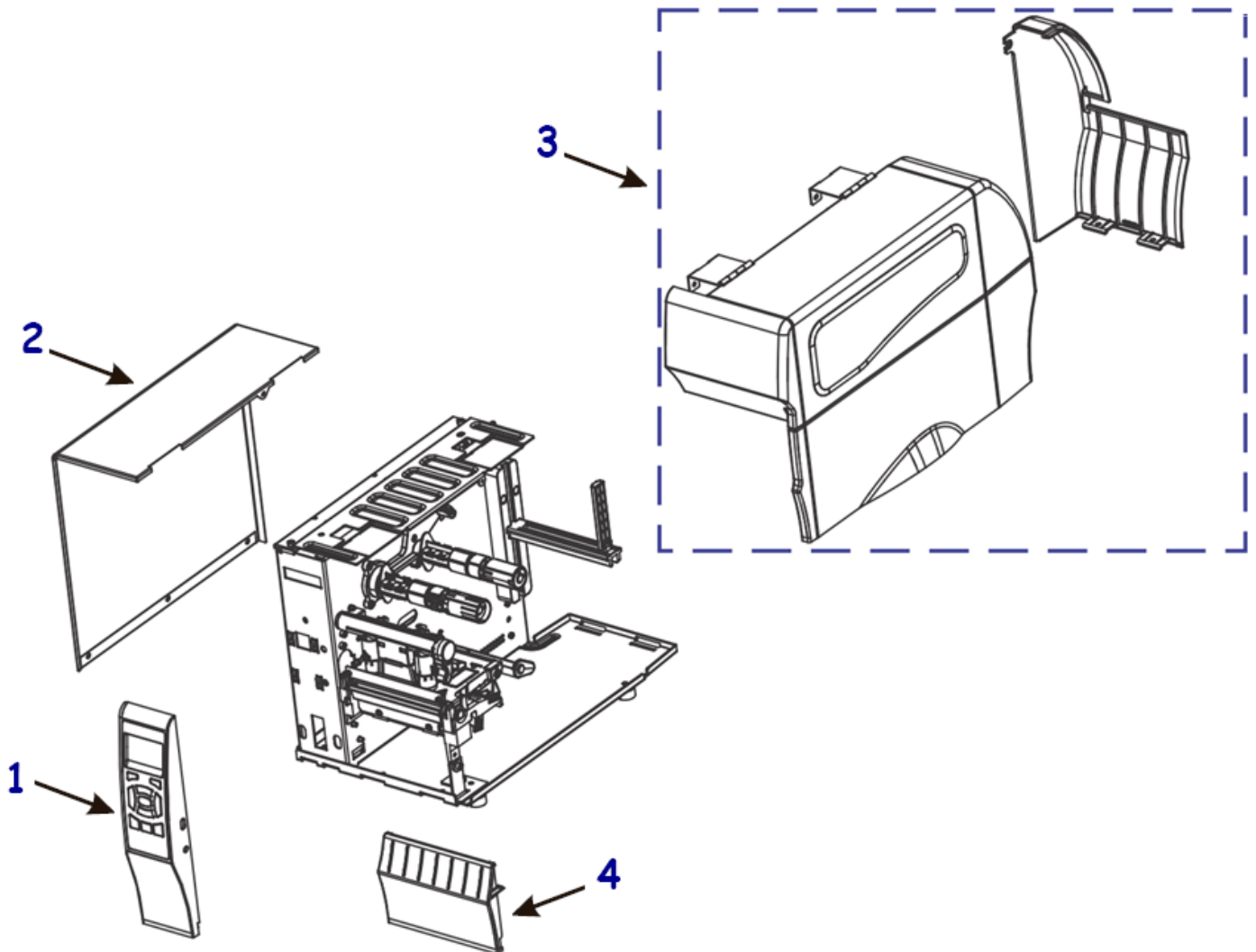


ZT200 Series Parts Catalog

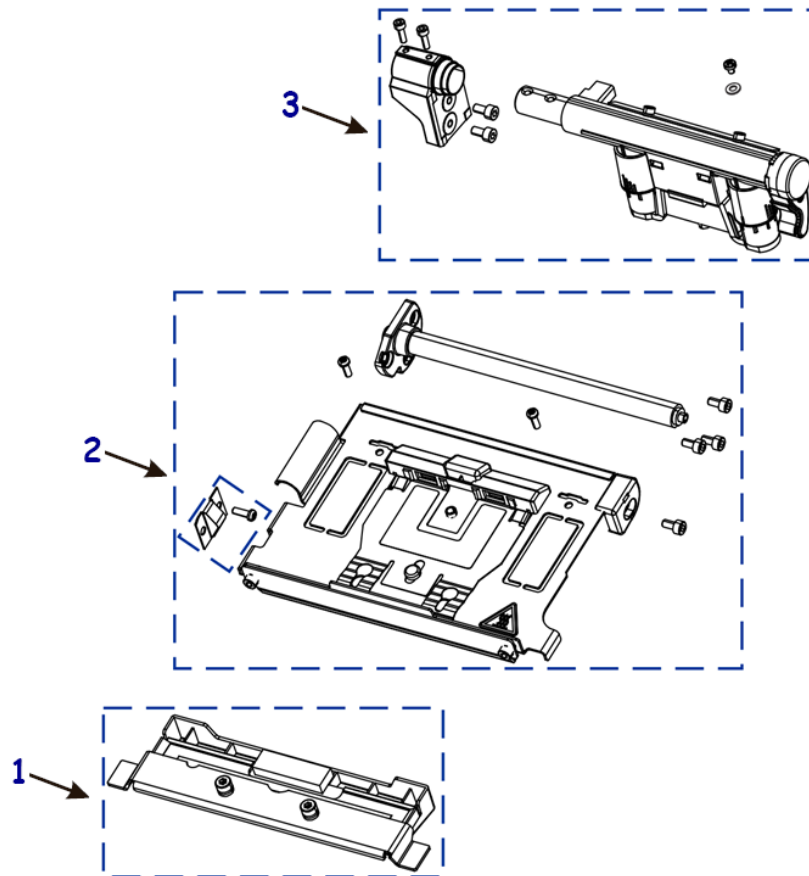
Outer Casing Components



Item Number	Description	Part Number	Kit Quantity
1	Kit Control Panel ZT230	P1037974-031	1
1	Kit Control Panel ZT220	P1037990-002	1
1	Kit Control Panel ZT210	P1037991-001	1
2	Kit Electronics Cover ZT230 or ZT210	P1037974-034	1
2	Kit Electronics Cover ZT220	P1037990-005	1
3	Kit Media Cover ZT230	P1037974-032	1
3	Kit Media Cover ZT220	P1037990-003	1
3	Kit Media Cover ZT210	P1037991-002	1
4	Kit Front Lower Panels ZT230 (includes tear and peel panels)	P1037974-033	1
4	Kit Front Lower Panels ZT220 or ZT210 (includes tear and peel panels)	P1037990-004	1
	Kit Media Window ZT230 or ZT210 only (not applicable to ZT220)	P1037974-049	1

ZT200 Series Parts Catalog

Print Mechanism Components



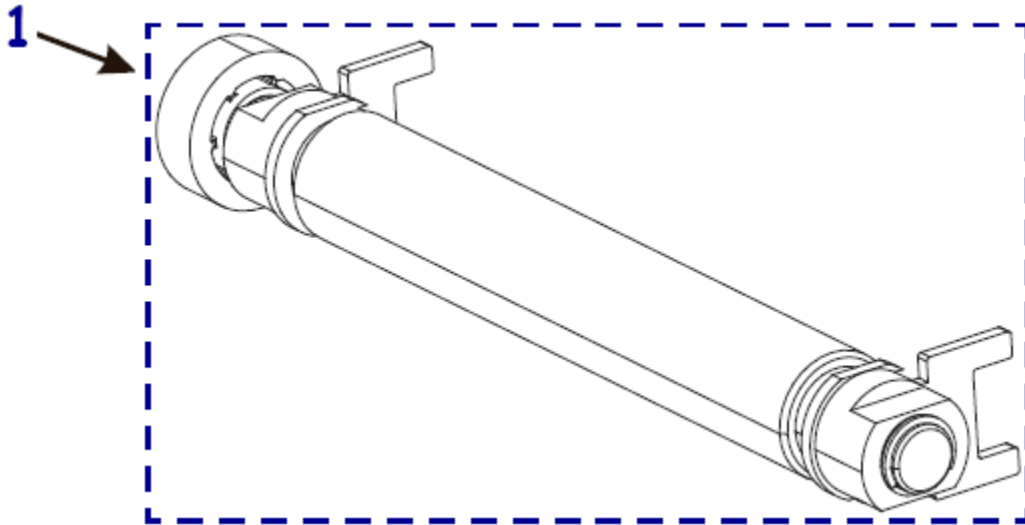
Item Number	Description	Part Number	Kit Quantity
1	Kit Printhead 203 dpi ZT200 Series	P1037974-010	1
1	Kit Printhead 300 dpi ZT200 Series	P1037974-011	1
2	Kit Thermal Transfer Print Mechanism ZT200 Series (includes ribbon sensor with cable, printhead cables and ground contact)	P1037974-013	1
2	Kit Direct Thermal Print Mechanism ZT200 Series (includes printhead cables and ground contact)	P1037974-056	1
3	Kit Toggle Bar ZT200 Series	P1037974-014	1
	Kit Ribbon Strip Plate and Ribbon Static Brush ZT200 Series	P1037974-047	1
	Kit Ground Contact ZT200 Series	P1037974-015	1

Printhead dpi conversion kits

Item Number	Description	Part Number	Kit Quantity
	Kit Convert 203 dpi to 300 dpi ZT200 Series	P1037974-005	1
	Kit Convert 300 dpi to 203 dpi ZT200 Series	P1037974-006	1

ZT200 Series Parts Catalog

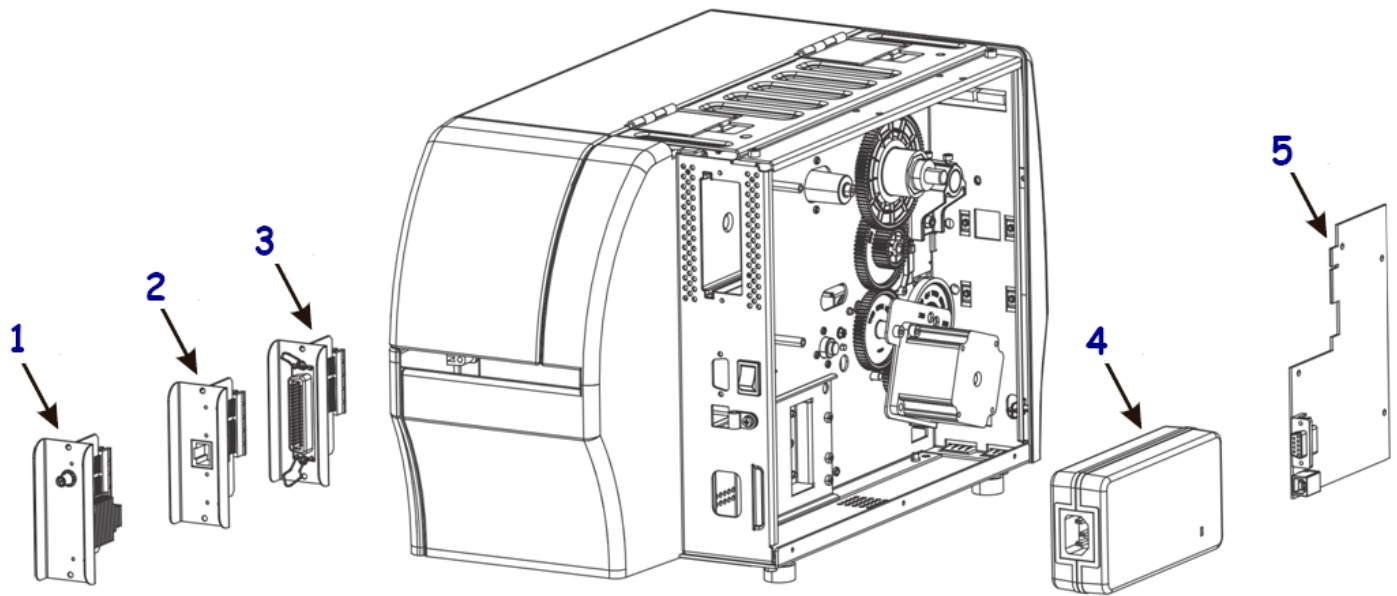
Platen Roller



Item Number	Description	Part Number	Kit Quantity
1	Kit Platen Roller ZT200 Series	P1037974-028	1

ZT200 Series Parts Catalog

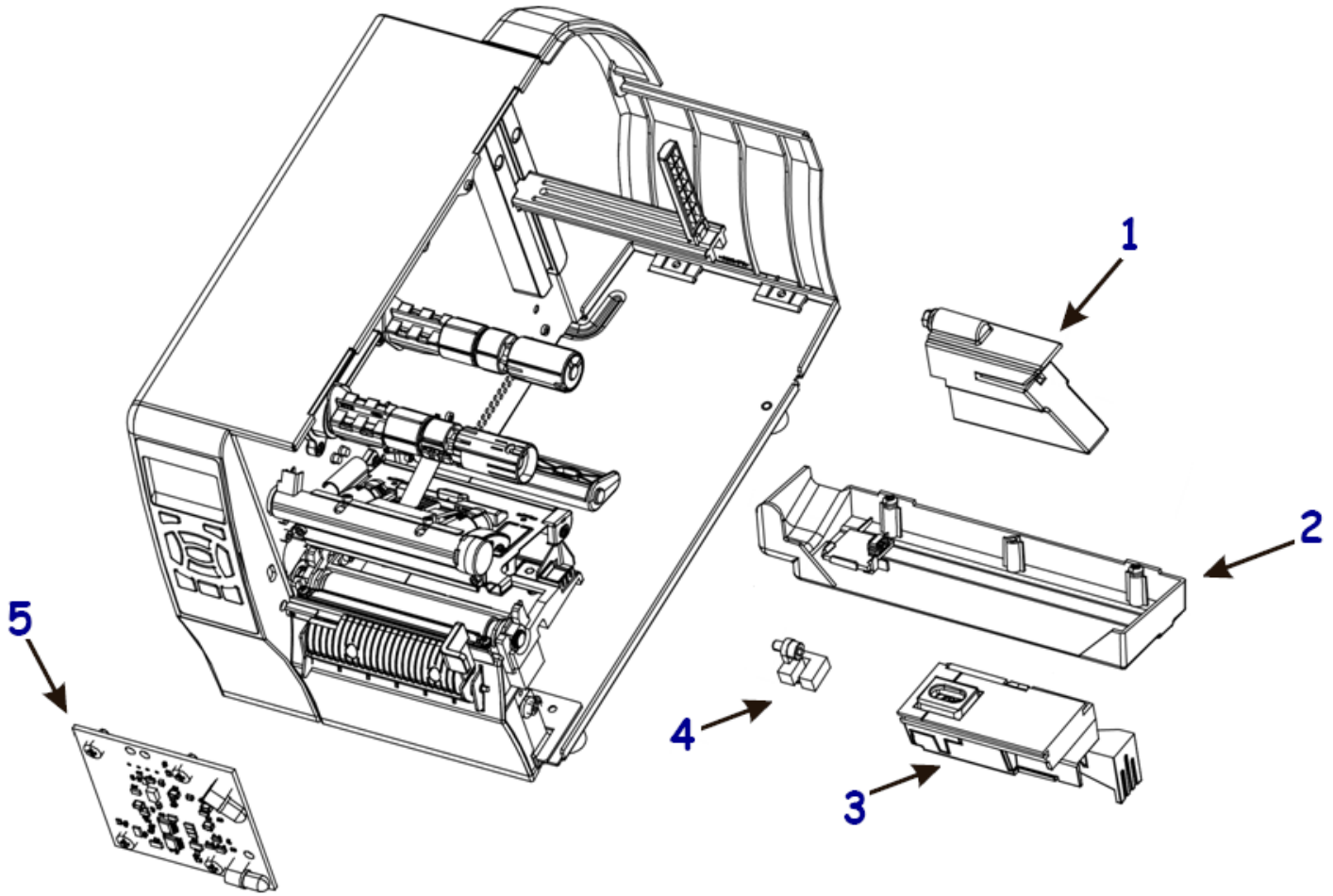
Electronic Components



Item Number	Description	Part Number	Kit Quantity
1	Kit ZebraNet Internal Wireless 802.11 n radio ZT200 Series USA & Canada	P1037974-003A	1
1	Kit ZebraNet Internal Wireless 802.11 n radio ZT200 Series Japan	P1037974-003B	1
1	Kit ZebraNet Internal Wireless 802.11 n radio ZT200 Series Europe, Asia, South America, Middle East, Africa, etc...	P1037974-003C	1
2	Kit Internal Printserver (Ethernet port) ZT200 Series	P1037974-001	1
3	Kit Parallel Port ZT200 Series	P1037974-002	1
4	Kit Power Supply ZT200 Series	P1037974-018	1
5	Kit Main Logic Board ZT200 Series	P1037974-017	1
	Kit Real Time Clock PCB ZT200 Series	P1037974-004	1
	Kit Power Switch ZT200 Series	P1037974-019	1
	Kit Brackets for Power Supply ZT200 Series	P1037974-043	1
	Kit Replacement Antenna for 802.11n Radio	P1037974-053	1
	Kit Electronics Cables for Cutter & LTU options	P1037974-020	1
	USA Power Cord	46693	1
	Europe Power Cord	46629	1
	UK Power Cord	46637	1
	Japan Power Cord	37609	1
	China Power Cord	47612	1

ZT200 Series Parts Catalog

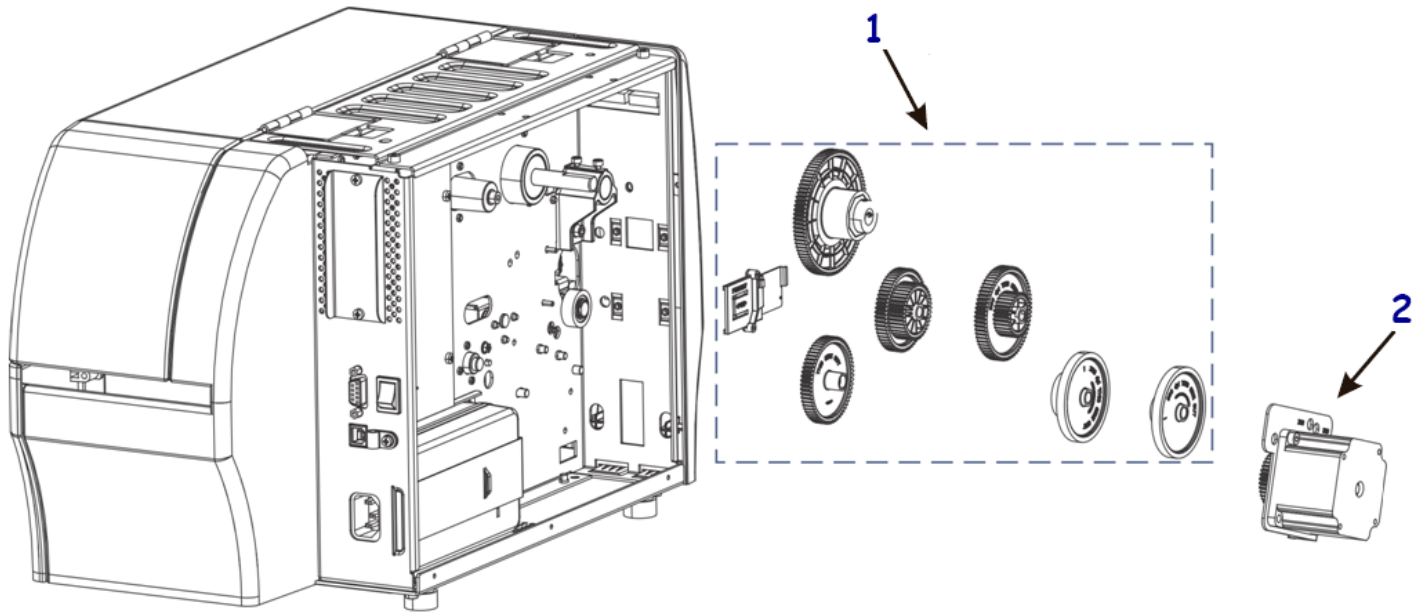
Sensors



Item Number	Description	Part Number	Kit Quantity
1	Kit Media Sensor ZT200 Series	P1037974-021	1
2	Kit Ribbon Sensor ZT200 Series	P1037974-023	1
3	Kit Reflective Sensor (Black Mark Sensor) ZT200 Series	P1037974-022	1
4	Kit Head Open Sensor ZT200 Series	P1037974-025	1
5	Kit Take Label Sensor ZT200 Series	P1037974-024	1

# ZT200 Series Parts Catalog

## Drive System Components

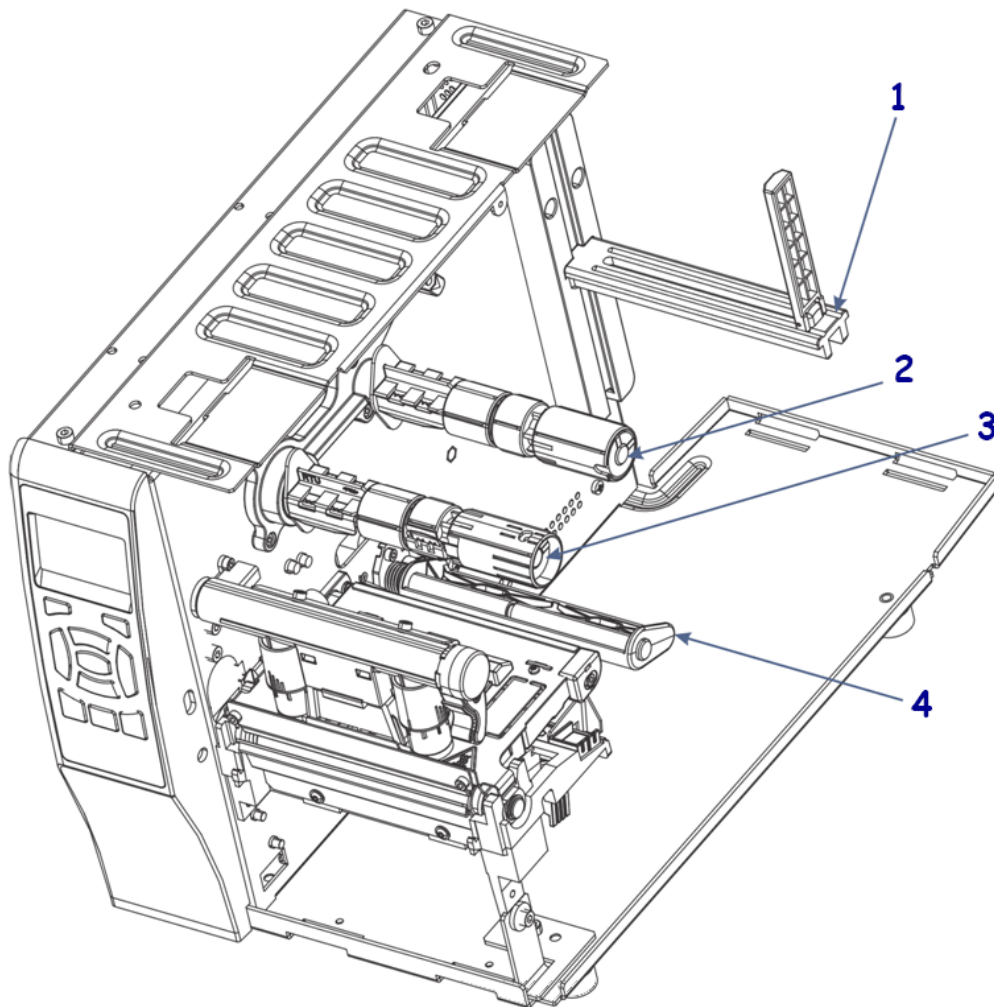


Item Number	Description	Part Number	Kit Quantity
1	Kit Drive Gears ZT200 Series (includes gears for 203 dpi and 300 dpi) only for serial numbers <u>less</u> than TT143103477	P1037974-029	1
1	Kit Drive Gears ZT200 Series (includes gears for 203 dpi and 300 dpi) only for serial numbers <u>greater</u> than TT143103477	P1037974-061	1
2	Kit Drive Motor for 203 dpi and 300 dpi ZT200 Series only for serial numbers <u>less</u> than TT143003038	P1037974-030	1
2	Kit Drive Motor for 203 dpi and 300 dpi ZT200 Series only for serial numbers <u>greater</u> than TT143003038	P1037974-062	1



ZT200 Series Parts Catalog

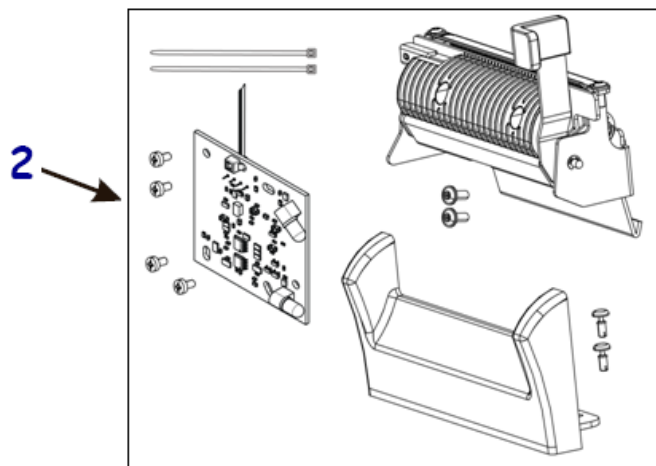
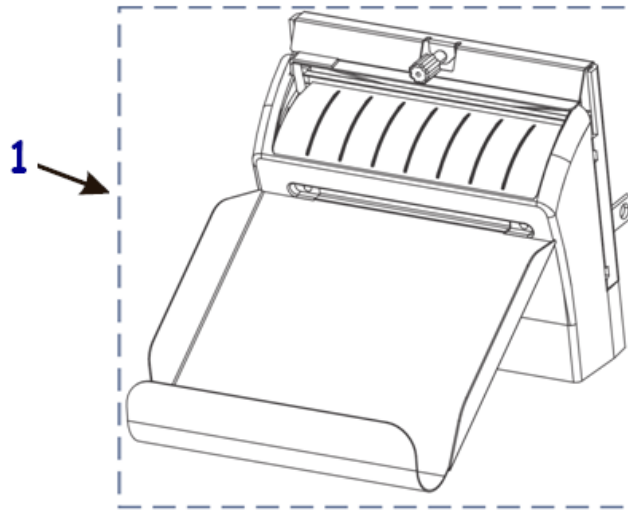
Media Path Components



Item Number	Description	Part Number	Kit Quantity
1	Kit Media Hanger ZT200 Series	P1037974-027	1
2	Kit Ribbon Supply Spindle ZT200 Series	P1037974-050	1
3	Kit Ribbon Take Up Spindle ZT200 Series	P1037974-051	1
4	Kit Media Dancer ZT200 Series	P1037974-057	1
	Kit Outer Media Guide ZT200 Series	P1037974-016	1
	Kit Tear Bar ZT200 Series	79837M	1
	Kit Cardboard Cores for Ribbon Spindles (Qty 2)	P1037974-012	2
	Kit Entire Ribbon System ZT230 (includes bearing support and both ribbon spindles)	P1037974-026	1
	Kit Entire Ribbon System ZT220 or ZT210 (includes bearing support and both ribbon spindles)	P1037990-001	1
	Kit Housing for Platen Roller ZT200 Series (includes both media guides)	P1037974-059	1

ZT200 Series Parts Catalog

Media Handling Options

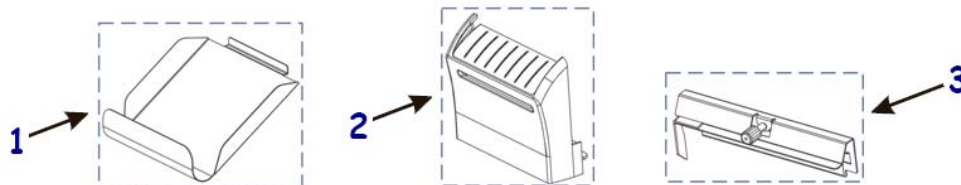


Item Number	Description	Part Number	Kit Quantity
1	Kit Cutter Option ZT200 Series	P1037974-007	1
2	Kit Peel Option ZT200 Series	P1037974-008	1



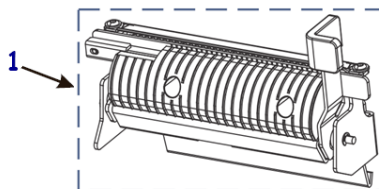
**Replacement Components for Media Handling Options:**

Cutter Components



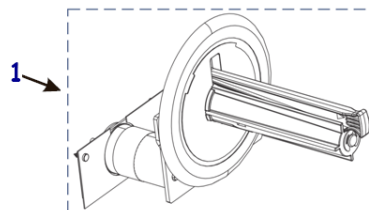
Item Number	Description	Part Number	Kit Quantity
1	Kit Catch Tray for Cutter ZT200 Series	P1037974-037	1
2	Kit Cover with PCB for Cutter ZT200 Series	P1037974-035	1
3	Kit Static Brush for Cutter ZT200 Series	P1037974-036	1

Peel Components



Item Number	Description	Part Number	Kit Quantity
1	Kit Peel Unit ZT200 Series	P1037974-038	1
	Kit Roller for Peel Unit ZT200 Series	P1037974-039	1

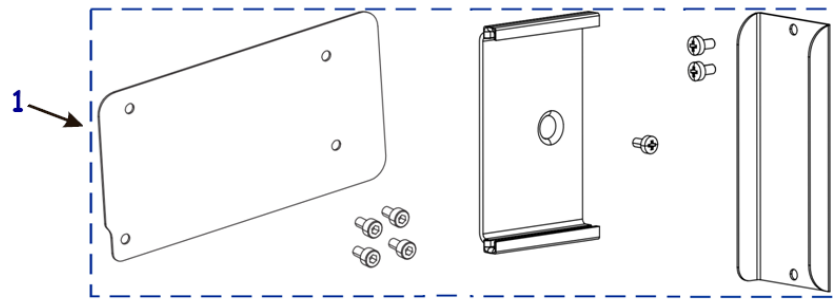
Liner Take-Up (LTU) Components



Item Number	Description	Part Number	Kit Quantity
1	Kit Replacement LTU PCB with Drive Motor and Spindle ZT230 only	P1037974-040	1
	Kit Door for LTU (Liner Take Up) ZT230 only	P1037974-054	1

# ZT200 Series Parts Catalog

## Covers and Packaging



Item Number	Description	Part Number	Kit Quantity
1	Kit Covers/Mounts for Options ZT200 Series	P1037974-041	1
	Kit Top Plate (Electronics Structural Cover) ZT200 Series	P1037974-042	1
	Kit Assorted Hardware ZT200 Series (various screws, washers, cable ties, etc.. used throughout the printer)	P1037974-044	1
	Kit Feet on bottom of printer (Qty 20) ZT200 Series	P1011215	20

## Packaging Materials for Printer Shipping

Item Number	Description	Part Number	Kit Quantity
	Kit Packaging for ZT230 or ZT210 (Qty 1)	P1037974-045	1
	Kit Packaging for ZT230 or ZT210 (Qty 8)	P1037974-046	8
	Kit Packaging for Liner Take Up Versions of ZT230 (Qty 1)	P1037974-058	1
	Kit Packaging for ZT220 (Qty 1)	P1037990-018	1
	Kit Packaging for ZT220 (Qty 8)	P1037990-019	8



[www.L-TronDirect.com](http://www.L-TronDirect.com)

800-830-9523

[info@L-Tron.com](mailto:info@L-Tron.com)

596 Fishers Station Dr | Victor, NY | 14564 | Suite 1 A

[www.L-Tron.com](http://www.L-Tron.com)

Get in touch with us  
on social media!

