

B780 Two-Color Hybrid Receipt/Validation Printer



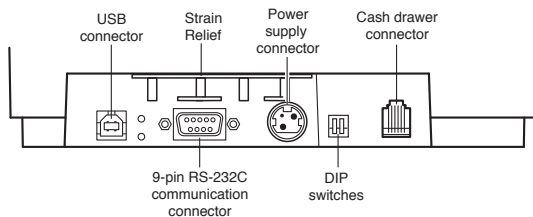
Banking Hybrid Printers

B780

Simplifying the teller validation/receipt printing process.

From the company that brought you the industry's first thermal/impact hybrid transaction printer with integrated MICR and clam shell drop-in paper loading design, CognitiveTPG offers the banking market its hybrid printer model B780. The B780 features two-color/monochrome printing, graphic and image capability, and a small footprint (under 73 square inches) that fits almost anywhere.

- Fast, quiet, maintenance-free thermal receipt/journal printer
- Drop-in validation impact print station
- Available with optional MICR reader for near perfect read rates
- Marketing and branding opportunities with our receipt marketing software
- Low total cost of ownership with multiple printhead technologies using thermal and impact printing for longer printhead and ribbon life
- Multiple communication interfaces
- Includes emulations of popular banking printers, including the A721, for easy replacement and installation



RS232 Serial and USB Interface Shown Above

B780

Simplifying the Teller Validation/Receipt Printing Process

Performance and Reliability in a Small Package

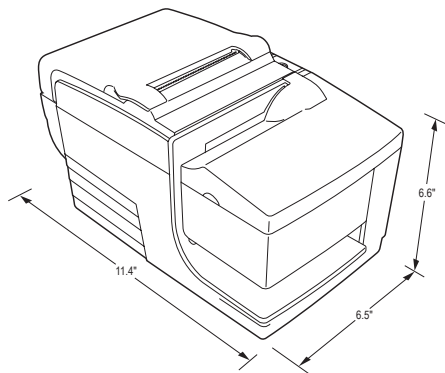
Backed by a 2-year warranty, the B780 delivers maximum flexibility, performance, and reliability within a 73 square inch footprint. The B780 offers easy media loading and validation insertion, a paper low indicator, caution sensors, electronic journal, and multiple resident emulations for ease of use and superior performance.

A True Multifunctional Printer

With receipt printing, ticket validation (cash-in and cash-out) and check and form endorsement, the B780 is a true multifunctional printer. The optional MICR also reads information from checks, general ledger tickets, etc., with a 99% accuracy rate.

Marketing and Branding Opportunities

Enhance customer relations using our receipt marketing software. Financial ReceiptWare™ can turn every receipt ticket into a marketing and branding opportunity. Simply add logos, watermarks, margin messages, customer surveys, or highlight promotions like on-line banking, new CD rates, etc.



Technical Specifications

	Receipt Station	Slip Station
Print Method	Direct Thermal, 203 DPI	9-Pin Impact
Character Cell Size	13 X 24, 10 X 24	7 X 7, 12 X 7, 5 X 9
CPI	15, 6, 20.3	13.9 & 16.8
Print Columns	44 & 56	42 & 51
Print Line Width	2.8 in. (72 mm)	3.02 in. (76.8 mm)
Character Sets	Resident Code Pages 437, 737, 850, 852, 857, 858, 860, 862, 863, 865, 866, 1251, 1252, and 1255	
Bar Codes	UPC-A, UPC-E, JAN8, JAN13 (EAN), Code 39, Code 93 Interleaved 2 of 5, Codabar, Code 128, Code 128 extended, EAN 128, RSS, QR, PDF-417	
Printing Speed	Monochrome 70.4 LPS (250 mm/sec) 4.8 LPS (16 mm/sec) Two-color 27 LPS (100 mm/sec)	
Auto Cutter	Partial Cut	
Emulations Available	Compatible with escape commands, CognitiveTPG A756, A758, and Axiohm A721, Unisys/DH4700, and NCR5021.	
Data Buffer	8K	
User Memory	Up to 2 MB: shared for graphics, logos, user defined characters and user data storage	
Communication	Dual 9-pin RS-232/USB, 25-pin RS-232, Ethernet, and Powered USB	
MICR Reader:		
Character sets/fonts	E-13B and CMC-7, auto discriminate (Integrated in slip station)	
Check Read Rate	99% minimum	
Parsing Formats	E-13B only. Programmable to any format	
Thermal Paper Requirements:		
Paper Type	Direct Thermal, POS Grade(s), special paper for color printing	
Paper Roll (W X Dia.)	3.15 in. X 3.27 in. (80 mm X 83 mm)	
Impact Slip Forms:		
Size	2.75 in. X 5.00 in. (69.85 mm x 127.00 mm) minimum front & side	
Max. Form Length	11.00 in. (279.4 mm)	
Number of Plies	1 - 4 ply multipart	
Paper Thickness	0.014 in. maximum (0.35 mm)	
Power	24 VDC	
Certifications	EMC emissions: EN55022:1998 Class B ITE emission requirements (EU); FCC 47 CFR Part 15, Class B emissions requirements (USA), AS/NZS 3548:2002/CISPR22 Class B ITE emission requirements (Australia); EMC Immunity: EN55024:1998/A1:2001 Information technology equipment (EU)	
Reliability	Thermal Print Mechanism - 216 KM paper (64 M lines) monochrome, 216 KM two-color (57 M lines), Auto Knife Cutter - 2 M cuts, Impact Print Mechanism - 15 M lines, Impact Printhead - 200 M characters, MICR reader - 200,000 Reads	
Dimensions (W X D X H)	6.5 in. X 11.4 in. X 6.6 in. (165.10 mm X 289.56 mm X 167.64 mm)	
Weight	8 lbs. printer only. 13 lbs. w/carton, pads, and included accessories	
Options	MICR Reader	
Printer Drivers	Windows Mini Drivers for XP, VISTA, and 7, RS-232 Emulation Driver	

CognitiveTPG, LLC

950 Danby Road, Suite 200, Ithaca, NY 14850
Toll Free: 800.732.8950 Phone: 607.274.2500 Fax: 607.274.2449
www.CognitiveTPG.com
Copyright 2012 CognitiveTPG. All Rights Reserved.





www.L-TronDirect.com

800-830-9523

info@L-Tron.com

596 Fishers Station Dr | Victor, NY | 14564 | Suite 1 A

www.L-Tron.com

Get in touch with us
on social media!

