

# CV61 Configurations



All CV61 standard configurations are available with the following components:

- Intel® Atom Atom D425 1.8 GHz
- Up to 3GB RAM
- 40GB solid-state disk
- 802.11 a/b/g/n radio, CCX v4
- Bluetooth 2.0 + EDR Class 1.5 (30m range)
- Microsoft Windows XP Pro or Windows 7 Pro
- Optional Intermec Client Pack software
  - Intermec Terminal Emulator (ITE)
  - Intermec Browser
- Standard or heated display for freezer environments



The first *voice-enabled* rugged vehicle mount computer running Microsoft Windows XP or 7 and VoiceCatalyst!

- Voice-enabled workflows are proven to improve safety and productivity
- Forklift operators can simply talk, listen and act—keeping focused on the task at hand
- Vocollect Voice can be integrated across your entire enterprise, including all forklift applications

## CV41 Models

### Windows XP

### Windows 7

#### CV61 with Standard Display

(1GB RAM)  
(2GB RAM)  
(3GB RAM)

CV61A11XPAN80000 (1GB RAM)  
CV61A12XPAN80000 (2GB RAM)  
CV61A13XPAN80000 (3GB RAM)

CV61A127MAN80000 (2GB RAM)  
CV61A137MAN80000 (3GB RAM)

#### CV61 with Heated Display

(1GB RAM)  
(2GB RAM)  
(3GB RAM)

CV61A21XPAN80000 (1GB RAM)  
CV61A22XPAN80000 (2GB RAM)  
CV61A23XPAN80000 (3GB RAM)

CV61A227MAN80000 (2GB RAM)  
CV61A237MAN80000 (3GB RAM)

## Intermec Medallion Service



- MEDV1-GLD-3** Gold plan, 3 years, with 2-day on-site standard
- MEDV1-SLV-3-C** Silver plan, 3 years, with 2-day return to depot
- MEDV1-BRZ-3-C** Bronze plan, 3 years, with 5-day return to depot

## Intermec Client Pack Software Maintenance



- 454-023-001** License, Intermec Client Pack
- ICP-SFT1** One-year maintenance subscription for Intermec Client Pack
- ICP-SFT3** Three-year maintenance subscription for Intermec Client Pack

# CV61 Forklift Install with Tethered Scanner

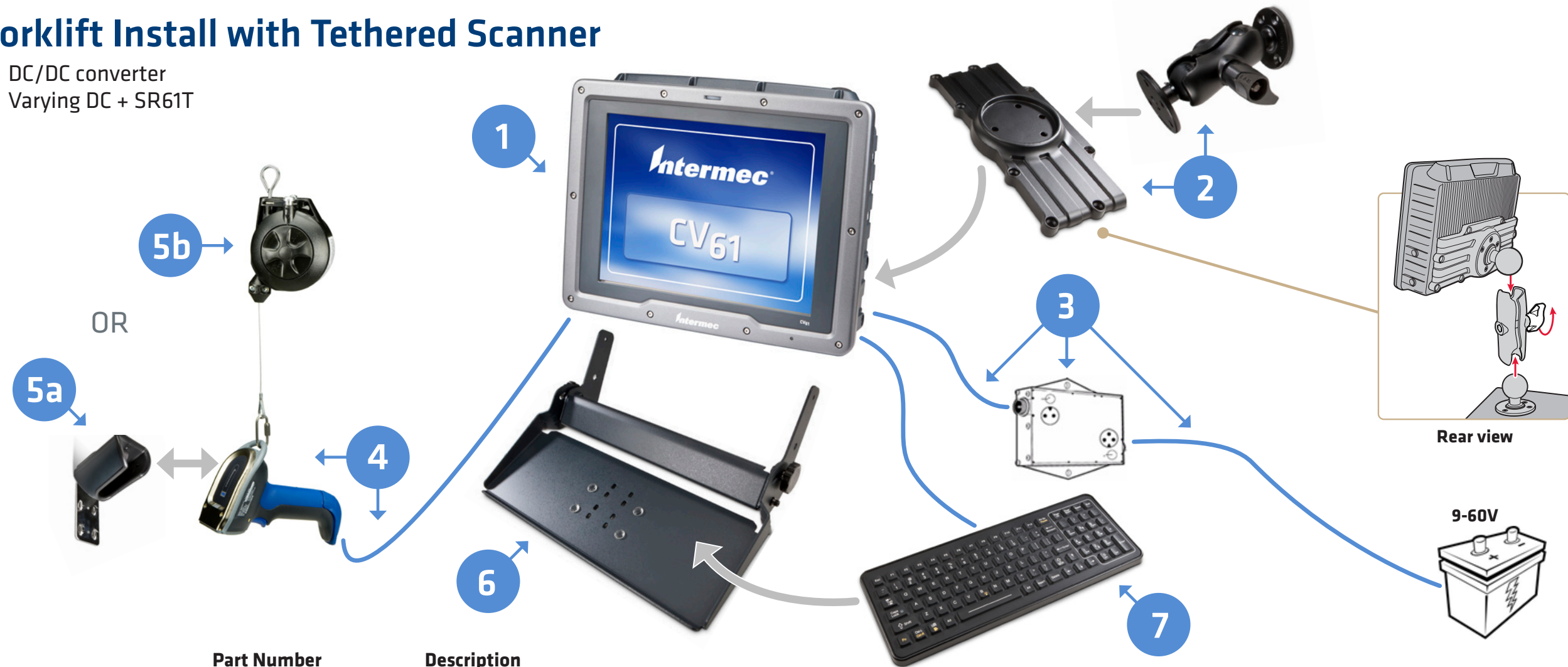
Option 1 – Direct to Battery  
9-60V DC + SR61T



	Part Number	Description
	1	CV61A11XPAN80000 CV61 with Standard Touchscreen, 1GB RAM, Windows XP, Multilingual (Worldwide)
<b>OR</b>	CV61A127MAN80000	CV61 with Standard Touchscreen, 2GB RAM, Windows 7, Multilingual (Worldwide)
	2	203-956-001 Vehicle Mounting Kit with Extra-Duty Stubby RAM Mount (Includes CV61 Backplate, 5" Arm, 2x 3.375" Balls)
	3	203-950-001 Direct Wiring Kit (For Use with 6-60V DC Trucks to CV61 DC/DC Input--NOT For Use with Heated Touchscreen Models)
	4	SR61TXR-SER001 SR61TXR (EX25) Serial Scanner Kit (includes Scanner & 236-184-001 RS232 Serial Cable, Power from Host)
	5a	203-876-002 SR61 Wall Mount or Vehicle Mount Holder
<b>OR</b>	5b	825-181-001 SR61 Dangle Suspension
	6	G9A-KB001-02 Keyboard Mounting Kit for CV61 (Tray Mount Attaches Directly to CV61; Full Swivel; Compatible with All Rugged Keyboards)
	7	340-053-003 Rugged 101-Key Windows Keyboard (PS/2, Windows Layout)

# CV61 Forklift Install with Tethered Scanner

Option 2 – DC/DC converter  
Varying DC + SR61T



	Part Number	Description
	1	CV61A11XPAN80000 CV61 with Standard Touchscreen, 1GB RAM, Windows XP, Multilingual (Worldwide)
OR	CV61A127MAN80000	CV61 with Standard Touchscreen, 2GB RAM, Windows 7, Multilingual (Worldwide)
	2	203-956-001 Vehicle Mounting Kit with Extra-Duty Stubby RAM Mount (Includes CV61 Backplate, 5" Arm, 2x 3.375" Balls)
	3	203-779-001 DC/DC Converter Kit, 6-60V DC (Requires VE027-8024-C0; Converts CV60 5-Pin Power Output Cables to CV61 6-Pin Input)
OR	203-780-001	DC/DC Converter Kit, 15-96V DC (Requires VE027-8024-C0; Converts CV60 5-Pin Power Output Cables to CV61 6-Pin Input)
AND	VE027-8024-C0	Cable, 5-Pin Male to 6-Pin Female
	4	SR61TXR-SER001 SR61TXR (EX25) Serial Scanner Kit (includes Scanner & 236-184-001 RS232 Serial Cable, Power from Host)
	5a	203-876-002 SR61 Wall Mount or Vehicle Mount Holder
OR	5b	825-181-001 SR61 Dangle Suspension
	6	G9A-KB001-02 Keyboard Mounting Kit for CV61 (Tray Mount Attaches Directly to CV61; Full Swivel; Compatible with All Rugged Keyboards)
	7	340-053-003 Rugged 101-Key Windows Keyboard (PS/2, Windows Layout)



# CV61 Forklift Install with Tethered Scanner

Option 3 – Cold Temperature (-30°C)  
Varying DC + SR61T



	Part Number	Description
	1 CV61A21XPAN80000	CV61 with Heated Touchscreen, 1GB RAM, Windows XP, Multilingual (Worldwide)
<b>OR</b>	CV61A227MAN80000	CV61 with Heated Touchscreen, 2GB RAM, Windows 7, Multilingual (Worldwide)
	2 203-956-001	Vehicle Mounting Kit with Extra-Duty Stubby RAM Mount (Includes CV61 Backplate, 5" Arm, 2x 3.375" Balls)
	3 203-779-001	DC/DC Converter Kit, 6-60V DC (Requires VE027-8024-C0; Converts CV60 5-Pin Power Output Cables to CV61 6-Pin Input)
<b>OR</b>	203-780-001	DC/DC Converter Kit, 15-96V DC (Requires VE027-8024-C0; Converts CV60 5-Pin Power Output Cables to CV61 6-Pin Input)
<b>AND</b>	VE027-8024-C0	Cable, 5-Pin Male to 6-Pin Female
	4 SR61TXR-SER001	SR61TXR (EX25) Serial Scanner Kit (includes Scanner & 236-184-001 RS232 Serial Cable, Power from Host)
	5 520-3648-N3	Thermotrax Scanner Heater for 155X
	6 G9A-KB001-02	Keyboard Mounting Kit for CV61 (Tray Mount Attaches Directly to CV61; Full Swivel; Compatible with All Rugged Keyboards)
	7 340-054-102	Extreme Temperature Rugged Keyboard (DB15/USB, Windows Layout)

# CV61 Desktop Install

## Standard AC Power Connection

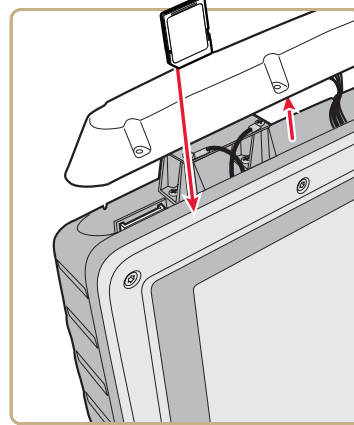


	Part Number	Description
	<b>1</b> CV61A11XPAN80000	CV61 with Standard Touchscreen, 1GB RAM, Windows XP, Multilingual (Worldwide)
	<b>OR</b> CV61A127MAN80000	CV61 with Standard Touchscreen, 2GB RAM, Windows 7, Multilingual (Worldwide)
	<b>2</b> 203-954-001	Desktop Mounting Kit (Includes CV61 Backplate, 2x 2.25" Balls, 5" Arm, Weighted Metal Table Stand)
	<b>3</b> 203-955-001	AC Wall Charger, US and International
	<b>4</b> AC Cord	See Page 7 for Country Specific AC Cord
Optional	<b>5</b> SG20THP-USB501	SG20 (EA30) USB Scanner Kit (Includes Scanner, USB Cable and Adjustable Stand)
Optional	<b>6</b> VE011-2017	Breakout Cable, Dual-USB (Breakout Y-Cable Adapter to Dual-USB Type A Host Connectors; REQUIRED for CV61 USB Connections)

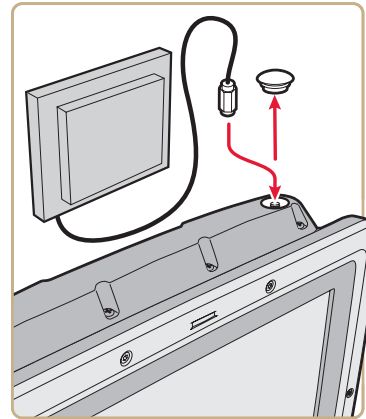
# CV61 I/O Connectors

Available Connections on the CV61

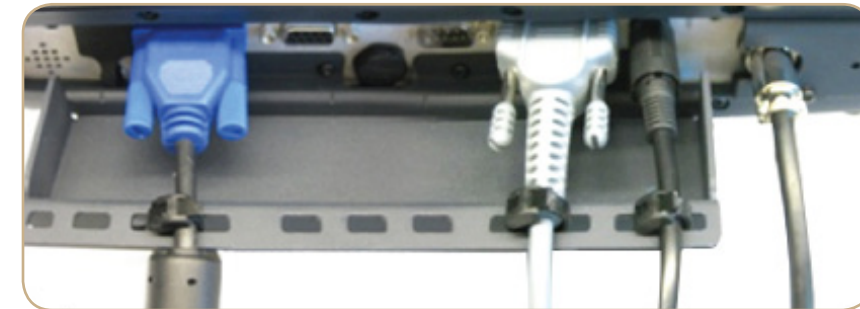
SD 2.0 cards up to 32GB



External Antenna



203-949-001 - Security Kit



Headset and Microphone

Speaker

RJ45 Gigabit Ethernet

Connect USB Scanners, Memory Sticks

VE011-2017 - Cable, Dual USB, CVxx

DB9F - CANbus SAE J1939 port

COM2 COM1  
DB9M Serial ports  
+5V Pin 9  
Serial Scanners

PS/2

Power Input

Power Button

VE027-8024-C0 - Cable, 5 Pin Male to 6 Pin Female  
**(CV60-to-CV61 Power Adapter Cable.**  
For use connecting legacy CV60 5-pin power output cables to CV61 6-pin input)

203-950-001- Kit,Wiring,Direct,CV61 (6-60V)

# Miscellaneous

## Other Accessories

### Part Number

### Description

805-662-001

External antenna, 802.11 a/b/g dual band (2.4 and 5.0 GHz), sealed with remote mount. Compatible with 802.11 infrastructure. RoHS compliant.



805-552-002

Omnidirectional antenna, single band (2.4 GHz), with remote mount. Supports 802.11 b/g/n only (does not support 5.0 GHz 802.11a). Features 3dB gain and wider coverage cone.



203-958-001

Memory upgrade kit, adds 1GB additional RAM to CV61 base unit for a total of 2GB RAM. User installable 1GB DDR2 SODIMM module.



203-958-002

Memory upgrade kit, adds 2GB additional RAM to CV61 base unit for a total of 3GB RAM. User installable 2GB DDR2 SODIMM module.



## AC Cords



### Part Number

### Description

1-974030-025

AC Power Cord, Australia (RoHS)

71918

AC Power Cord, China (RoHS)

321-501-002

AC Power Cord, Denmark (RoHS)

1-974027-025

AC Power Cord, Europe (RoHS)

321-502-002

AC Power Cord, India & South Africa (RoHS)

321-471-002

AC Power Cord, Italy (RoHS)

321-500-002

AC Power Cord, Japan (RoHS)

1-974029-020

AC Power Cord, UK (RoHS)

1-974028-025

AC Power Cord, US (RoHS)





[www.L-TronDirect.com](http://www.L-TronDirect.com)

800-830-9523

[info@L-Tron.com](mailto:info@L-Tron.com)

596 Fishers Station Dr | Victor, NY | 14564 | Suite 1 A

[www.L-Tron.com](http://www.L-Tron.com)

Get in touch with us  
on social media!

