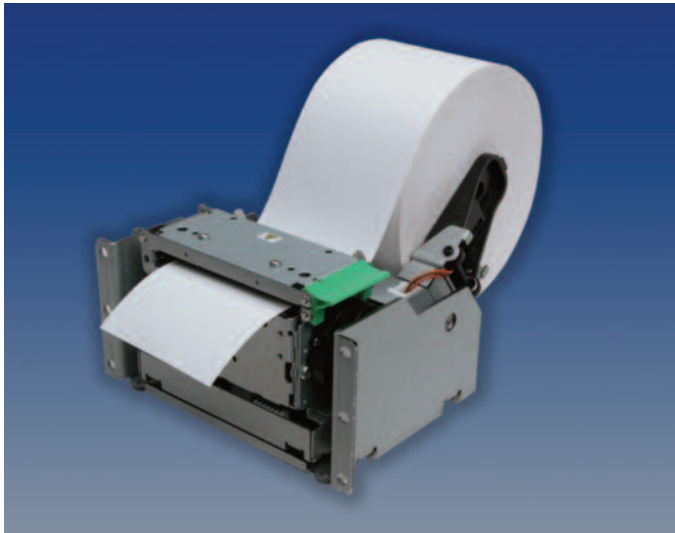


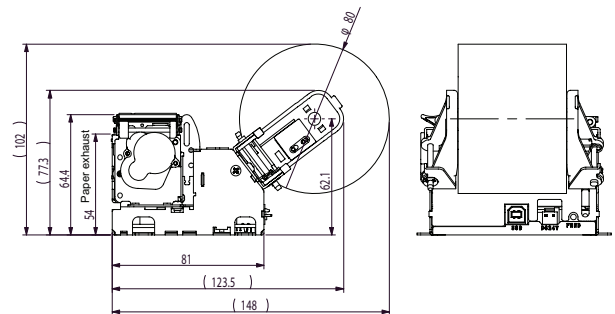
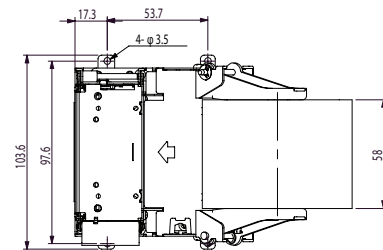
Star NP2411

Two Inch Thermal Kiosk Printer with Auto Cutter

The NP-2411 is the perfect solution for any application requiring an economical kiosk printer with a small foot print. A unique clamshell design print head makes paper loading extremely easy and its paper holder brackets are adjustable to support larger paper roll sizes. Additionally, messy paper jams are a thing of the past with the jam proof auto cutter, increasing uninterrupted stand-alone operation time.



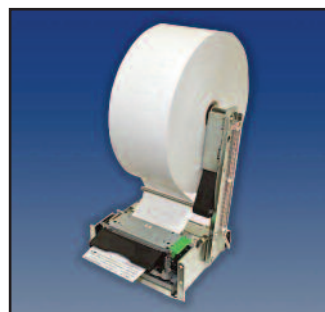
- Jam Proof Auto Cutter
- Low Profile
- Supports 58mm Wide Paper
- Small Footprint
- Easy Paper Loading
- Simplified Design for Easy Installation



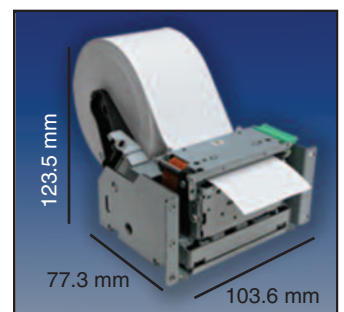
Clamshell Print Head



Optional Bezel



Optional Large Paper Roll Holder



Small Footprint



NP-2411 Specifications

2 Inch Thermal Kiosk Printer with Auto Cutter		
Features / Benefits	High Speed	150 mm/sec print speed
	Economical	Offers the key features and reliability of the NP-3511 at a lower cost
	Clamshell Print Head	Clamshell-type print head makes clearing difficult paper loading a thing of the past! Simply lift the print head up and slide the paper through
	Lock-Free Auto Cutter	Provides the demanded reliability and uptime required in stand alone applications
	2 Inch Paper Width	Prints standard width tickets or receipts to best fit specific application requirements
	Low Profile	Small size to fit into small spaces
	Various Operating System Support	Windows XP/2000/Vista and Linux CUPS drivers available to allow integration into a wide variety of fields
Connectivity Note: Connections in bold are supported; grayed-out connection types may be supported by other printer receipt models.	9-Pin Serial 25-Pin Serial Parallel USB Dual 9-Pin Serial/USB Ethernet	
Drivers Note: Drivers in bold are supported; grayed-out operating systems may be supported by other printer receipt models.	Windows 2000 Windows XP Windows Vista Linux	
Optional Accessories	Power Supply (PS60A) Bezel (BEZ-230) Large Paper Roll Holder (UPH-2411)	
Technical Specifications	Print Method: Direct Thermal Print Speed: 150 mm/sec Paper Width: 58mm Print Width: 54mm Paper Roll Diameter: 83mm	Operating Voltage: 24V DC Resolution: 8 dots/mm Print Head Life: 100km Dimensions: W= 103.6 mm, H= 123.5mm, D=77.3mm
Warranty	1 Year Limited Warranty	
For Further Information	Sales: 1-800-782-7636 x107 Technical Support: 1-800-782-7636 x105	Web: http://www.starmicronics.com





www.L-TronDirect.com

800-830-9523

info@L-Tron.com

596 Fishers Station Dr | Victor, NY | 14564 | Suite 1 A

www.L-Tron.com

Get in touch with us
on social media!

