

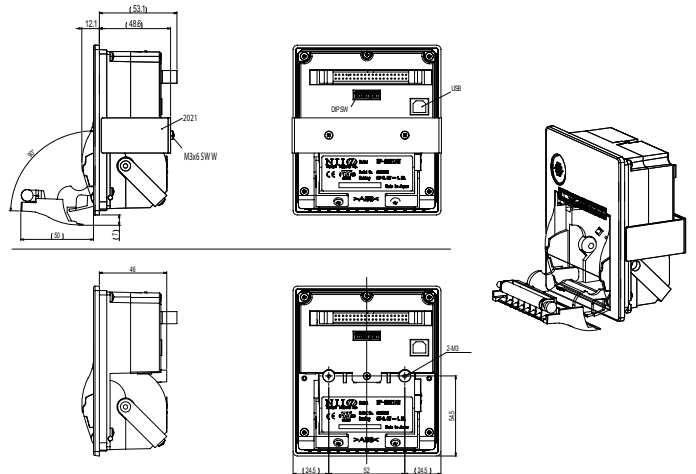
Star NP2021

Two Inch Panel Mount Printer with Tear Bar



- Tear Bar
- Low Voltage
- Very Compact
- Cost Effective
- Near End Sensor Included
- Supports 58mm Wide Paper

With its low voltage operation and a light weight, super compact design, the NP-2021 is the perfect printer for any panel mount application requiring a tear bar. It can easily be mounted in places where space is limited. The NP-2021 is available with or without a top cover to fit different application requirements.



Tear Bar



Drop-In Paper Loading



Panel Mount Design



Easy Cover Open



NP-2021 Specifications

2 Inch Panel Mount Printer with Tear Bar		
Features / Benefits	High Speed	150 mm/sec print speed
	Economical	Offers the key features and reliability of the NP-3511 at a lower cost
	Clamshell Print Head	Clamshell-type print head makes clearing difficult paper loading a thing of the past! Simply lift the print head up and slide the paper through
	Lock-Free Auto Cutter	Provides the demanded reliability and uptime required in stand alone applications
	3 Inch Paper Width	Prints standard width tickets or receipts to best fit specific application requirements
	Low Profile	Small size to fit into small spaces
	Various Operating System Support	Windows XP/2000/Vista and Linux CUPS drivers available to allow integration into a wide variety of fields
	Optional Large Paper Roll Model	Supports paper roll diameter up to 200 mm for continuous unattended operation
	Connectivity Note: Connections in bold are supported; grayed-out connection types may be supported by other printer receipt models.	9-Pin Serial 25-Pin Serial Parallel USB Dual 9-Pin Serial/USB Ethernet
Drivers Note: Drivers in bold are supported; grayed-out operating systems may be supported by other printer receipt models.	Windows 2000 Windows XP Windows Vista Linux	
Optional Accessories	Power Supply (PS60A) Bezel (BEZ-230) Large Paper Roll Holder (UPH-2411) Model Available with Large Paper Roll Holder Pre-Installed (NP-3411JB)	
Technical Specifications	Print Method: Direct Thermal Print Speed: 150 mm/sec Paper Width: 80mm Print Width: 72mm Paper Roll Diameter: 83mm	Operating Voltage: 24V DC Resolution: 8 dots/mm Print Head Life: 100km Dimensions: W=124.6 mm, H=123.5mm, D=77.3mm
Warranty	1 Year Limited Warranty	
For Further Information	Sales: 1-800-782-7636 x107 Technical Support: 1-800-782-7636 x105	Web: http://www.starmicronics.com





www.L-TronDirect.com

800-830-9523

info@L-Tron.com

596 Fishers Station Dr | Victor, NY | 14564 | Suite 1 A

www.L-Tron.com

