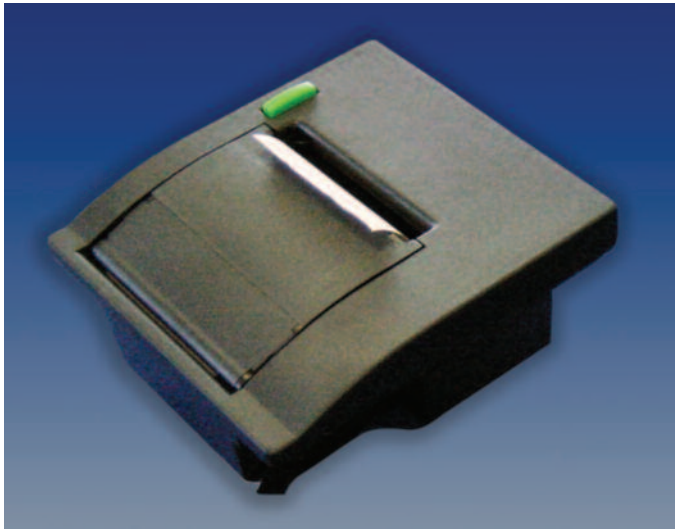


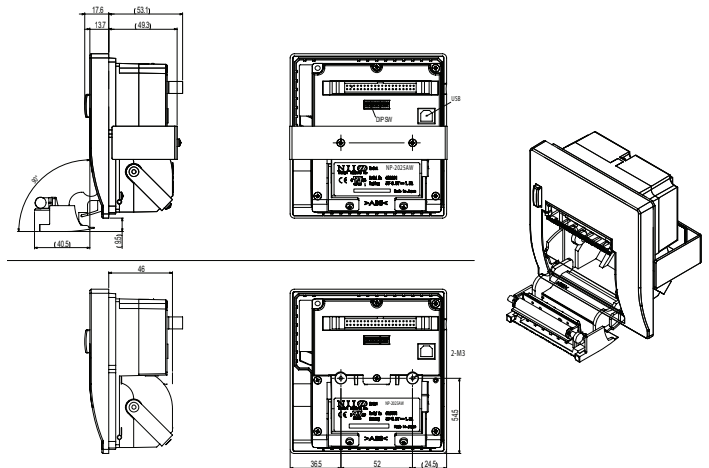
Star NP2025

Two Inch Panel Mount Printer with Auto Cutter



With its low voltage operation and a light weight, super compact design, the NP-2025 is the perfect printer for any panel mount application requiring an auto cutter. It can easily be mounted in places where space is limited. The NP-2025 is available with or without a top cover to fit different application requirements.

- Auto Cutter
- Low Voltage
- Very Compact
- Cost Effective
- Near End Sensor Included
- Supports 58mm Wide Paper



Auto Cutter



Drop-In Paper Loading



Panel Mount Design



Easy Cover Open



2 Inch Panel Mount Printer with Auto Cutter		
Features / Benefits	Low Profile	Small size to fit into small spaces
	Panel Mount Configuration	Provides a space-saving, reliable solution
	Near End Paper Sensor	Alerts users when the paper is low to ensure continued operation
	Low Voltage Operation	Conserve power usage
	2 Inch Paper Width	Prints on small width documents
	Auto Cutter	Caters to specific demands of certain applications
	Available With or Without Top Cover	Choose the model that best fits the application
	Various Operating System Support	Windows XP/2000/Vista and Linux CUPS drivers available to allow integration into a wide variety of fields
	Connectivity Note: Connections in bold are supported; grayed-out connection types may be supported by other printer receipt models.	9-Pin Serial 25-Pin Serial Parallel USB Dual 9-Pin Serial/USB Ethernet
Drivers Note: Drivers in bold are supported; grayed-out operating systems may be supported by other printer receipt models.	Windows 2000 Windows XP Windows Vista Linux	
Optional Accessories	AC Adapter Power Supply (PSNP2) AC Brick Power Supply (PSNP6)	
Technical Specifications	Print Method: Direct Thermal Print Speed: 50 mm/sec @ 8.5V 20 mm/sec @ 5V Paper Width: 58mm Print Width: 50mm Paper Roll Diameter: 50mm Operating Voltage: 5V-8.5V	Resolution: 8 dots/mm Print Head Life: 50km Dimensions: NP-2025A with Cover: W=114 mm, H=71mm, D=120mm NP-2025B without Cover: W=108 mm, H=67mm, D=115mm
Warranty	1 Year Limited Warranty	
For Further Information	Sales: 1-800-782-7636 x107 Technical Support: 1-800-782-7636 x105	Web: http://www.starmicronics.com





www.L-TronDirect.com

800-830-9523

info@L-Tron.com

596 Fishers Station Dr | Victor, NY | 14564 | Suite 1 A

www.L-Tron.com

Get in touch with us
on social media!

