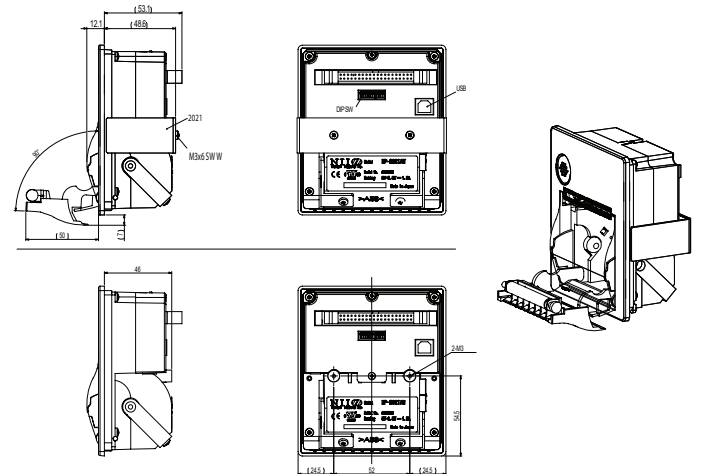


# Star NP2021

## Two Inch Panel Mount Printer with Tear Bar



- Tear Bar
- Low Voltage
- Very Compact
- Cost Effective
- Near End Sensor Included
- Supports 58mm Wide Paper



Tear Bar



Drop-In Paper Loading



Panel Mount Design



Easy Cover Open



# NP-2021 Specifications

2 Inch Panel Mount Printer with Tear Bar		
<b>Features / Benefits</b>	<b>High Speed</b>	150 mm/sec print speed
	<b>Economical</b>	Offers the key features and reliability of the NP-3511 at a lower cost
	<b>Clamshell Print Head</b>	Clamshell-type print head makes clearing difficult paper loading a thing of the past! Simply lift the print head up and slide the paper through
	<b>Lock-Free Auto Cutter</b>	Provides the demanded reliability and uptime required in stand alone applications
	<b>3 Inch Paper Width</b>	Prints standard width tickets or receipts to best fit specific application requirements
	<b>Low Profile</b>	Small size to fit into small spaces
	<b>Various Operating System Support</b>	Windows XP/2000/Vista and Linux CUPS drivers available to allow integration into a wide variety of fields
	<b>Optional Large Paper Roll Model</b>	Supports paper roll diameter up to 200 mm for continuous unattended operation
	<b>Connectivity</b>  Note: Connections in <b>bold</b> are supported; grayed-out connection types may be supported by other printer receipt models.	9-Pin Serial 25-Pin Serial Parallel USB <b>Dual 9-Pin Serial/USB</b> Ethernet
<b>Drivers</b>  Note: Drivers in <b>bold</b> are supported; grayed-out operating systems may be supported by other printer receipt models.	<b>Windows 2000</b> <b>Windows XP</b> <b>Windows Vista</b> <b>Linux</b>	
<b>Optional Accessories</b>	Power Supply (PS60A) Bezel (BEZ-230) Large Paper Roll Holder (UPH-2411) Model Available with Large Paper Roll Holder Pre-Installed (NP-3411JB)	
<b>Technical Specifications</b>	Print Method: Direct Thermal Print Speed: 150 mm/sec Paper Width: 80mm Print Width: 72mm Paper Roll Diameter: 83mm	Operating Voltage: 24V DC Resolution: 8 dots/mm Print Head Life: 100km Dimensions: W=124.6 mm, H=123.5mm, D=77.3mm
<b>Warranty</b>	1 Year Limited Warranty	
<b>For Further Information</b>	Sales: 1-800-782-7636 x107 Technical Support: 1-800-782-7636 x105	Web: <a href="http://www.starmicronics.com">http://www.starmicronics.com</a>





[www.L-TronDirect.com](http://www.L-TronDirect.com)

800-830-9523

[info@L-Tron.com](mailto:info@L-Tron.com)

596 Fishers Station Dr | Victor, NY | 14564 | Suite 1 A

[www.L-Tron.com](http://www.L-Tron.com)

Get in touch with us  
on social media!

