

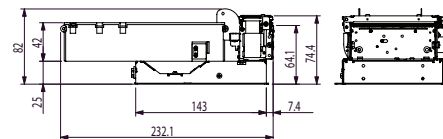
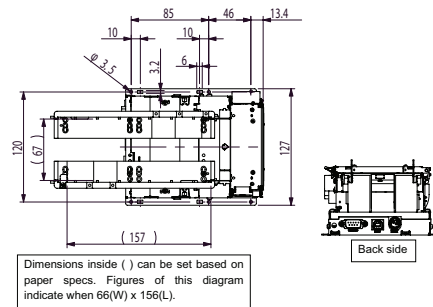
Star NP3512

Three Inch Thermal Fanfold Ticket Kiosk Printer



The NP-3512 is a sleek thermal ticket printer perfect for kiosk and gaming applications. Its compact and light weight design enables it to be easily mounted in various applications and the unique clamshell design print head allows for easy paper or ticket loading. It features an adjustable tray to support 65, 75 or 80 mm fanfold ticket stock. Additionally, messy paper jams are a thing of the past with the jam proof auto cutter, increasing uninterrupted stand-alone operation time.

- Jam Proof Auto Cutter
- Thick Paper Support
- Supports 65, 75 or 80mm Fanfold Ticket Stock
- Low Profile
- Easy Operation
- Easy Paper Loading



Clamshell Print Head



Adjustable Width Tray



Thick Media Support



Fanfold Paper Support



NP-3512 Specifications

3 Inch Thermal Fanfold Ticket Kiosk Printer		
Features / Benefits	High Speed	200 mm/sec print speed
	Clamshell Print Head	Clamshell-type print head makes clearing difficult paper loading a thing of the past! Simply lift the print head up and slide the paper through
	Lock-Free Auto Cutter	Provides the demanded reliability and uptime required in stand alone applications
	Adjustable Fanfold Paper Width	Easily adjust the tray to output 65, 76, or 80 mm wide tickets to users
	Thick Paper Support	Prints on high quality ticket or receipt paper stock from 65 – 150 micrometers thick
	Low Profile	Small size to fit into small spaces
	Static Electricity Proof	Added protection for indoor or outdoor use
	Various Operating System Support	Windows XP/2000/Vista and Linux CUPS drivers available to allow integration into a wide variety of fields
Connectivity Note: Connections in bold are supported; grayed-out connection types may be supported by other printer receipt models.	9-Pin Serial 25-Pin Serial Parallel USB Dual 9-Pin Serial/USB Ethernet	
Drivers Note: Drivers in bold are supported; grayed-out operating systems may be supported by other printer receipt models.	Windows 2000 Windows XP Windows Vista Linux	
Optional Accessories	Power Supply (PS60A)	
Technical Specifications	Print Method: Direct Thermal Print Speed: 200 mm/sec Ticket Width: 65mm, 76mm, or 80mm Ticket Length: 156mm, 165mm Ticket Thickness: 0.1 – 0.15mm	Operating Voltage: 24V DC Resolution: 8 dots/mm Print Head Life: 100km Dimensions: W=127 mm, H=232mm, D=82mm
Warranty	1 Year Limited Warranty	
For Further Information	Sales: 1-800-782-7636 x107 Technical Support: 1-800-782-7636 x105	Web: http://www.starmicronics.com





www.L-TronDirect.com

800-830-9523

info@L-Tron.com

596 Fishers Station Dr | Victor, NY | 14564 | Suite 1 A

www.L-Tron.com

