

PD41 | PD42

Commercial Printer



Spare Parts Catalog

Intermec Technologies Corporation

Worldwide Headquarters

6001 36th Ave.W.

Everett, WA 98203

U.S.A.

www.intermec.com

The information contained herein is provided solely for the purpose of allowing customers to operate and service Intermec-manufactured equipment and is not to be released, reproduced, or used for any other purpose without written permission of Intermec Technologies Corporation.

Information and specifications contained in this document are subject to change without prior notice and do not represent a commitment on the part of Intermec Technologies Corporation.

© 2010 by Intermec Technologies Corporation. All rights reserved.

The word Intermec, the Intermec logo, Norand, ArciTech, Beverage Routebook, CrossBar, dcBrowser, Duratherm, EasyADC, EasyCoder, EasySet, Fingerprint, INCA (under license), i-gistics, Intellitag, Intellitag Gen2, JANUS, LabelShop, MobileLAN, Picolink, Ready-to-Work, RoutePower, Sabre, ScanPlus, ShopScan, Smart Mobile Computing, SmartSystems, TE 2000, Trakker Antares, and Vista Powered are either trademarks or registered trademarks of Intermec Technologies Corporation.

There are U.S. and foreign patents as well as U.S. and foreign patents pending.

Wi-Fi is a registered certification mark of the Wi-Fi Alliance.

Bluetooth is a trademark of Bluetooth SIG, Inc., U.S.A.

Document Change Record

This page records changes to this document. The document was previously released as 1-960665-02.

Version Number	Revision Letter	Date	Description of Change
001	A	1/2010	Revised to support the addition of the 802.11 radio, the release of Ethernet as standard on the PD41B and PD42B, and other minor corrections.

Contents

PD41 and PD42 Commercial Printer Spare Parts Catalog	7
Spare Parts Overview	8
PD41 and PD42 Spare Parts	9
Media Cover Assembly	9
Edge Guide Kit	10
PD41 Front Panel Assembly	11
PD42 Front Panel Assembly	12
Print Unit Parts	13
Pressure Box and Thermal Printhead Lever Kit	14
Thermal Printhead Module	15
Label Gap Sensor Module	16
Motor Module	17
Belt Tension Spring	18
Ribbon Module	19
Ribbon Out Module	20
Ink Position Knob	20
Main CPU Board	21
Power Supply Unit	22
Plastic Feet	23
Strip Bar	24
Ethernet Option	24
Wi-Fi Kit	25
Antenna	25
Cable Assembly	26
WLAN Board Assembly	26
Parallel Card Option	27
Cutter Module	28
Rewinder Module	29
Compact Flash Cover Plate	30
Real Time Clock	31

Contents

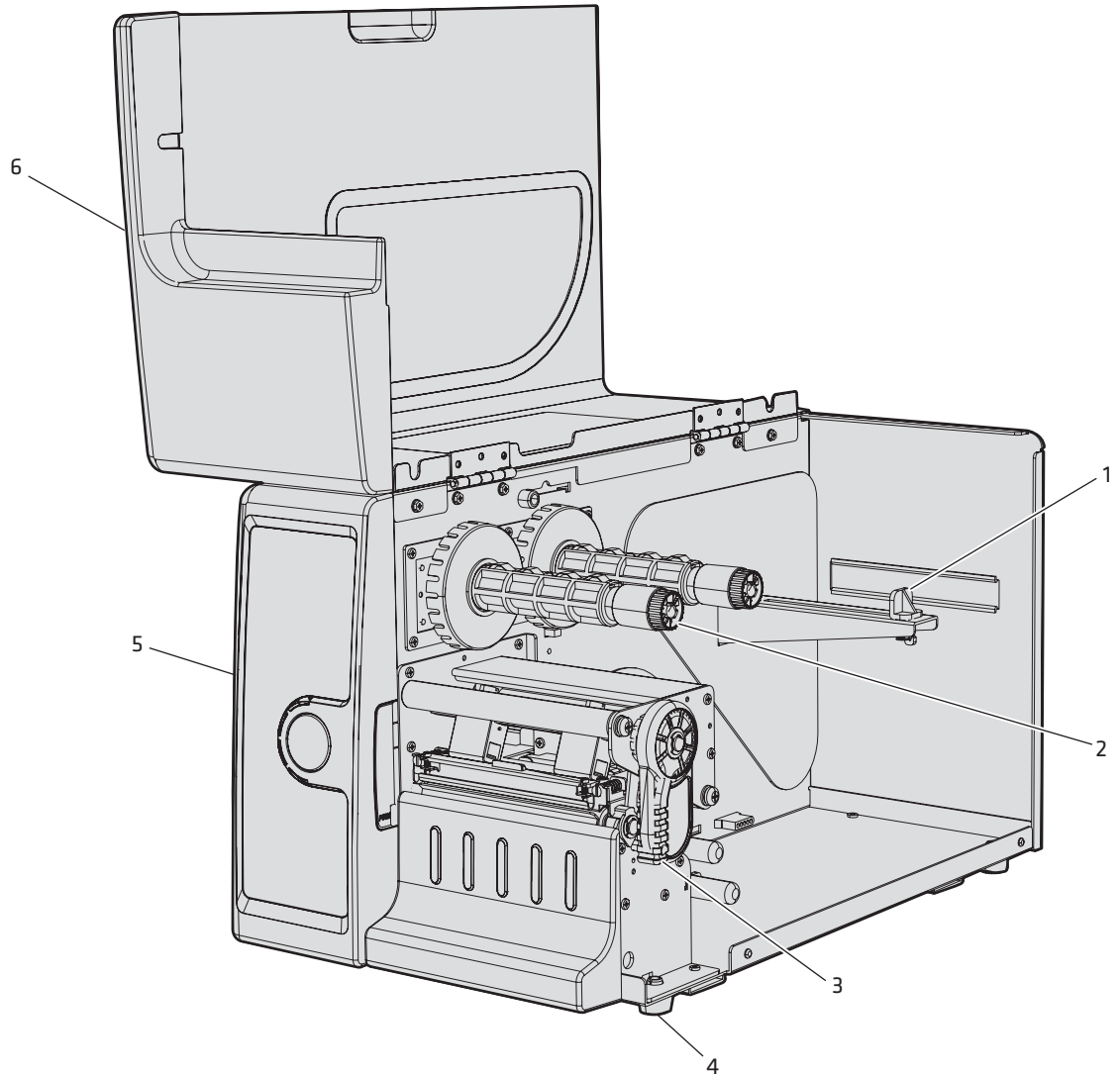
PD41 and PD42 Commercial Printer Spare Parts Catalog

This spare parts catalog contains information about spare parts and accessories for the Intermec PD41 and PD42 Commercial Printers. For information about parts not included in this catalog, please contact your Intermec Service representative.

Information in this manual is subject to change without prior notice and does not represent a commitment on the part of Intermec. For the most current information, see the latest edition of the Spare Parts Price List available from the Intermec web site at www.intermec.com.

Spare Parts Overview

Use this overview illustration and table to locate and identify some of the spare part assemblies.



Overview of the PD41 and PD42

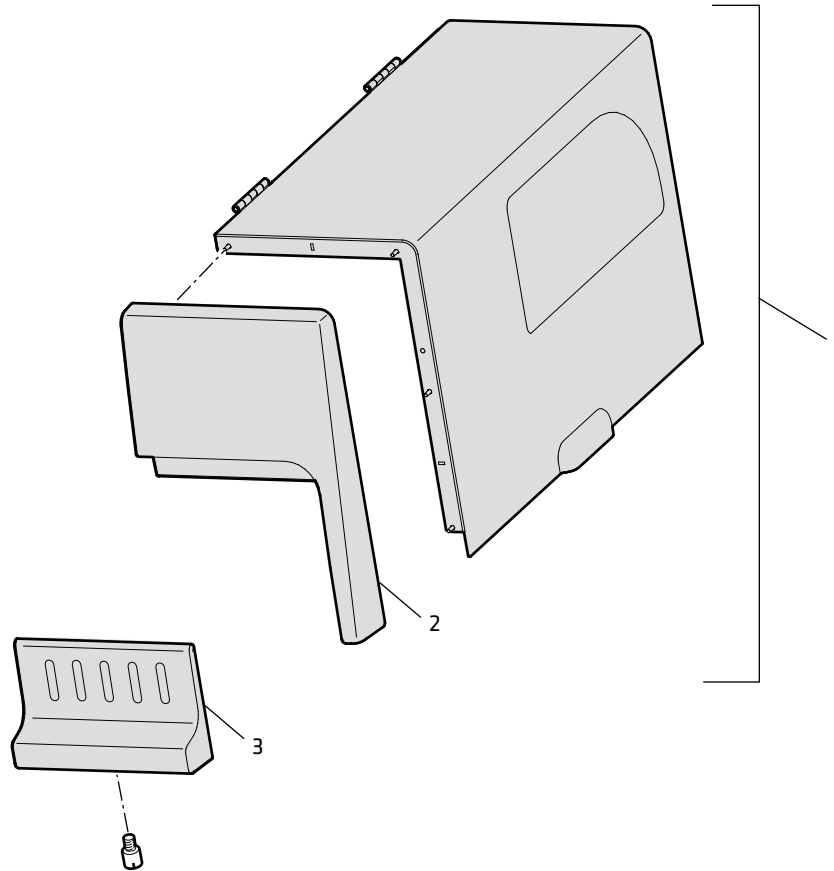
PD41 and PD42 Spare Parts Overview

Callout	Description	Page
1	Edge guides	10
2	Transfer ribbon mechanism	19
3	Print mechanism	13
4	Plastic foot	23
5	Front panel assemblies	11, 12
6	Media cover assembly	9

PD41 and PD42 Spare Parts

This section contains detailed illustrations, descriptions, and part numbers for the PD41 and PD42 spare parts. Note that the description text is not necessarily the same as the text on drawings, packing slips, or invoices.

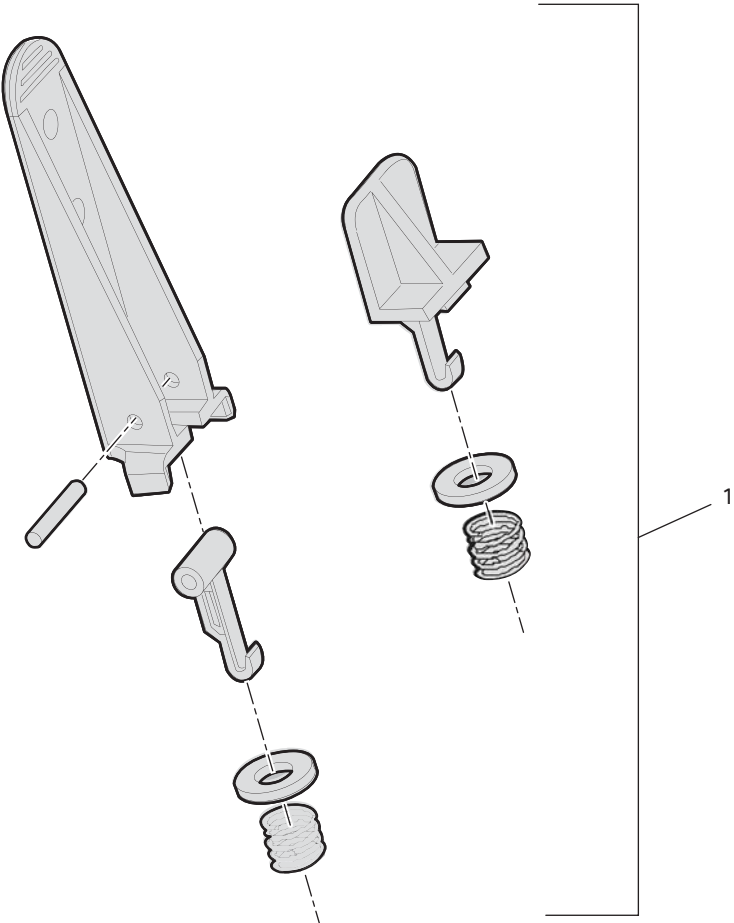
Media Cover Assembly



Media Cover Assembly Spare Parts

Callout	Part Number	Description	Notes
1	1-207070-900	Right cover assembly	Includes hinges.
2	1-207046-900	Right door cover	
3	1-207047-900	Front lid	Includes thumbscrew.

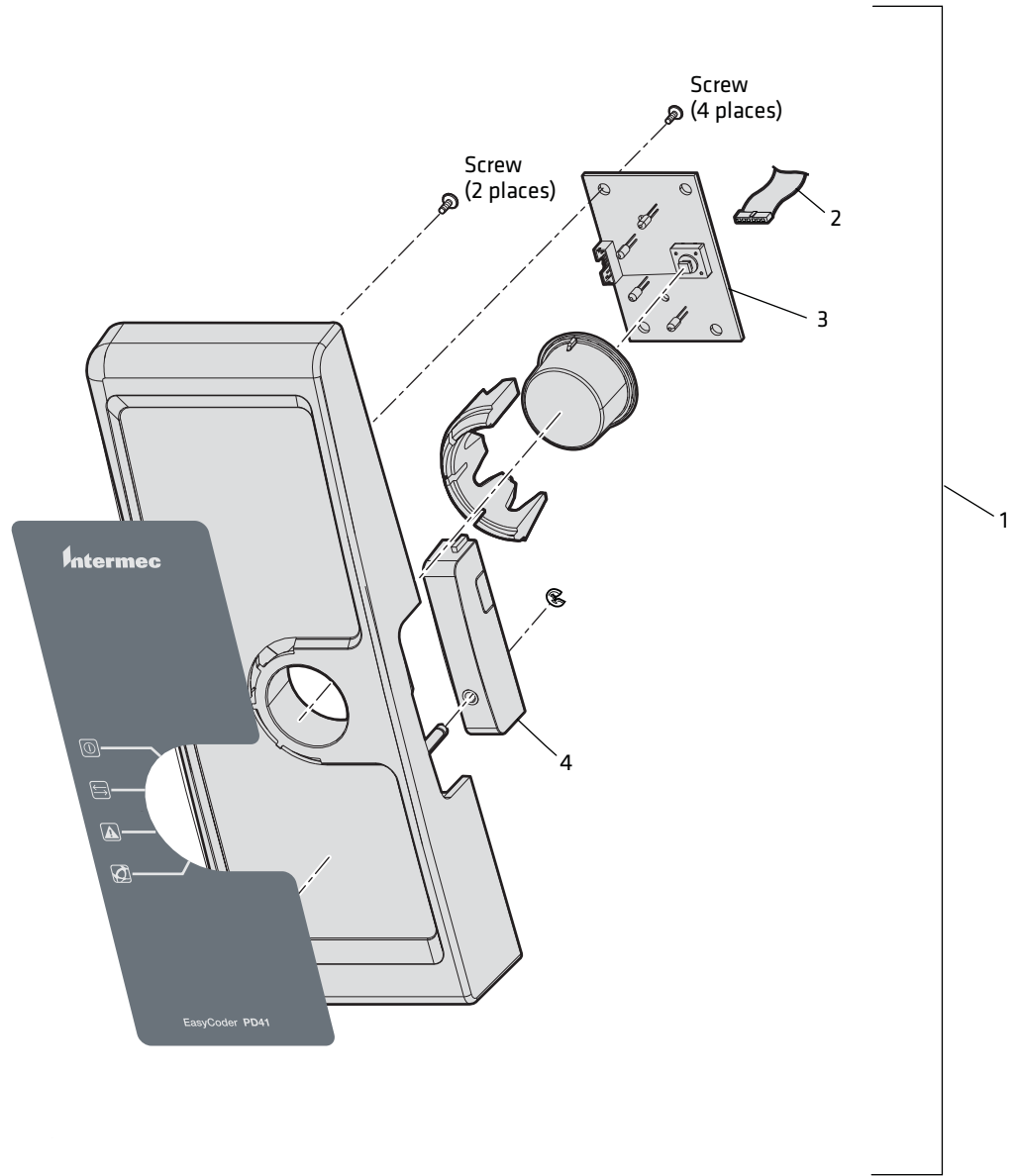
Edge Guide Kit



Edge Guide Kit Spare Parts

Callout	Part Number	Description	Notes
1	141-000070-952	Edge guide kit	Both high and low edge guides are included.

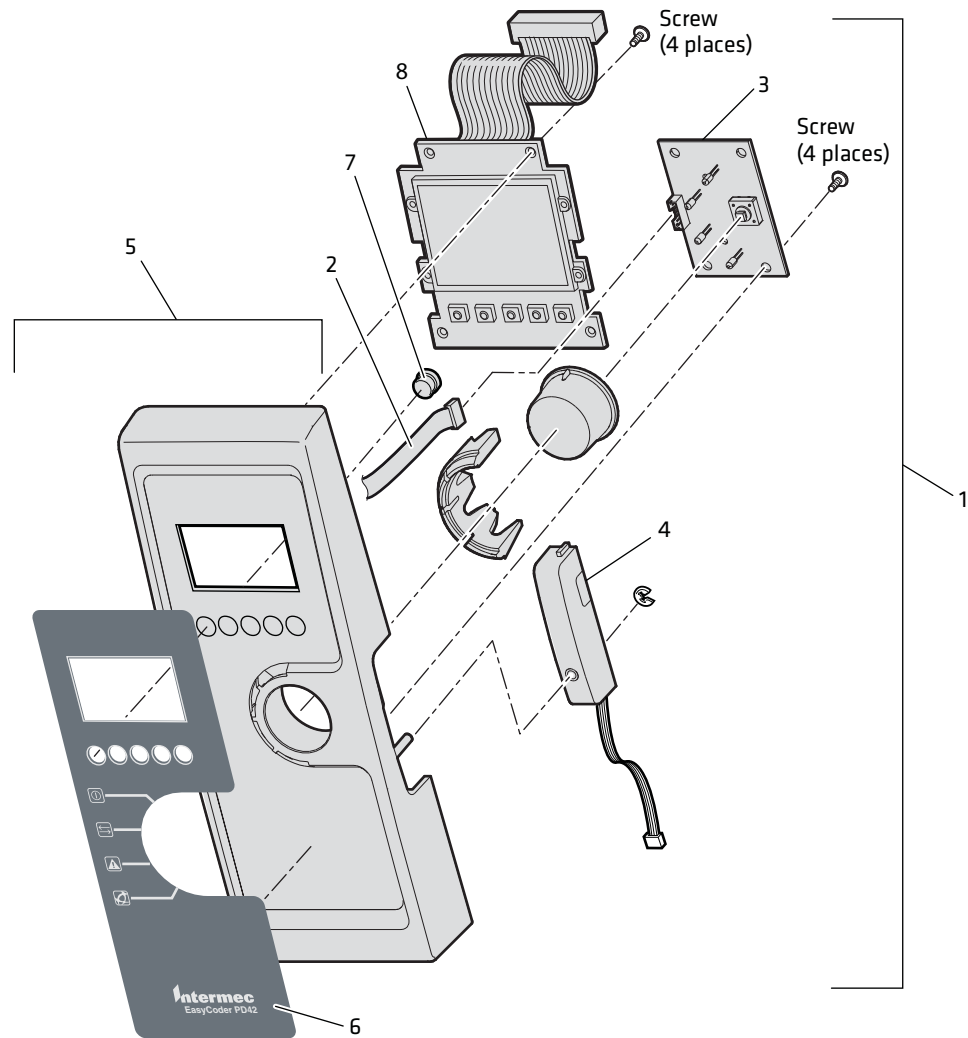
PD41 Front Panel Assembly



PD41 Front Panel Assembly Spare Parts

Callout	Part Number	Description	Notes
1	1-207039-900	PD41 front panel assembly	Complete assembly including overlay.
2	141-000112-902	Console cable	Connects console board to main board.
3	1-971163-900	Console board	
4	151-000026-902	Label taken sensor assembly kit	Includes the cable.

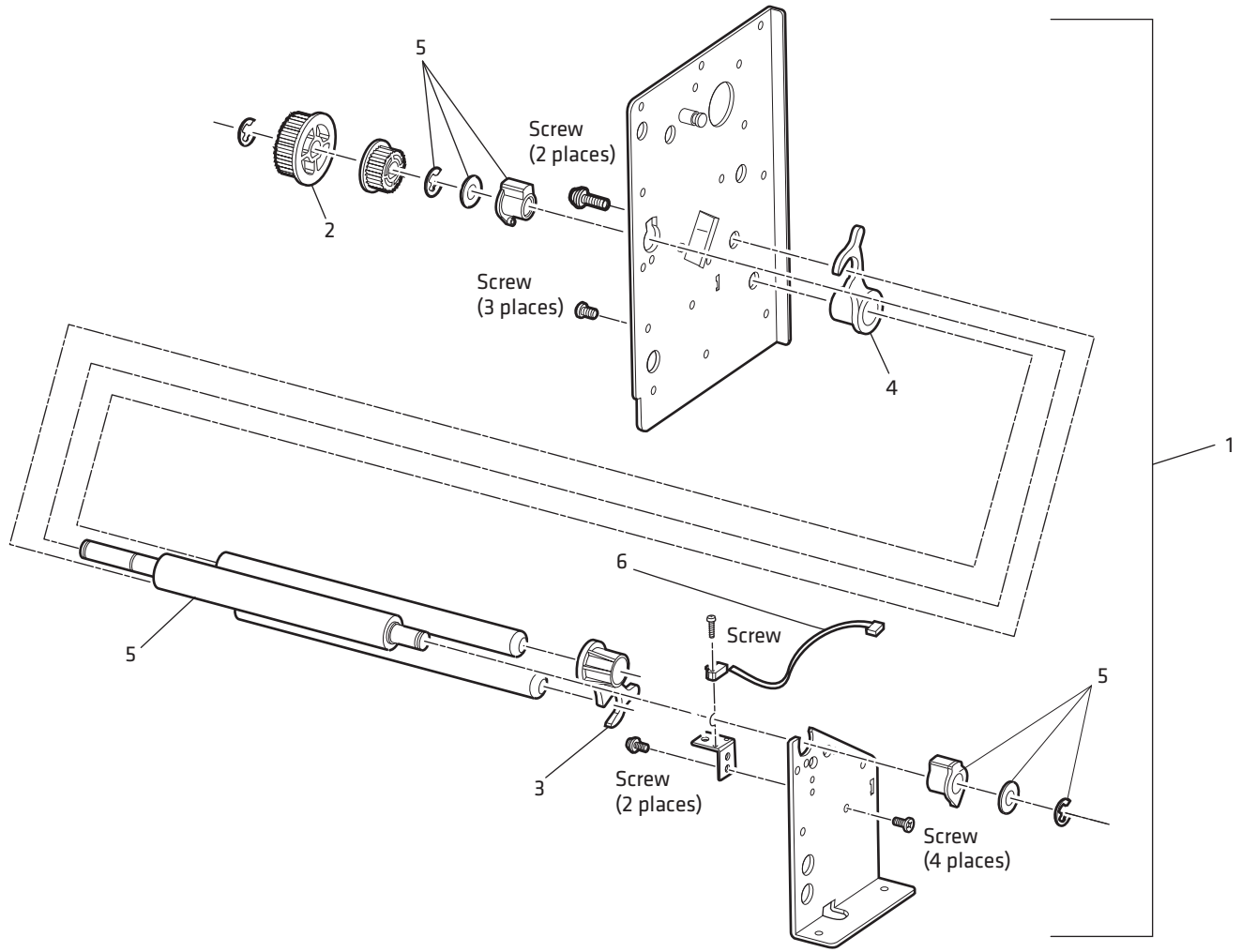
PD42 Front Panel Assembly



PD42 Front Panel Assembly Spare Parts

Callout	Part Number	Description	Notes
1	1-207132-001	Front panel, assembly, PD42	Complete assembly.
2	141-000112-902	Console cable	Connects console board to main board.
3	1-971163-900	Console board	
4	151-000026-902	Label taken sensor assembly kit	Includes the cable.
5	1-207133-001	PD42 front panel	Includes overlay assembly.
6	1-207134-001	PD42 overlay assembly	
7	1-207144-001	Display button	Includes one button, the printer requires five.
8	160-000186-003	PD42 LCD assembly	Includes the cable.

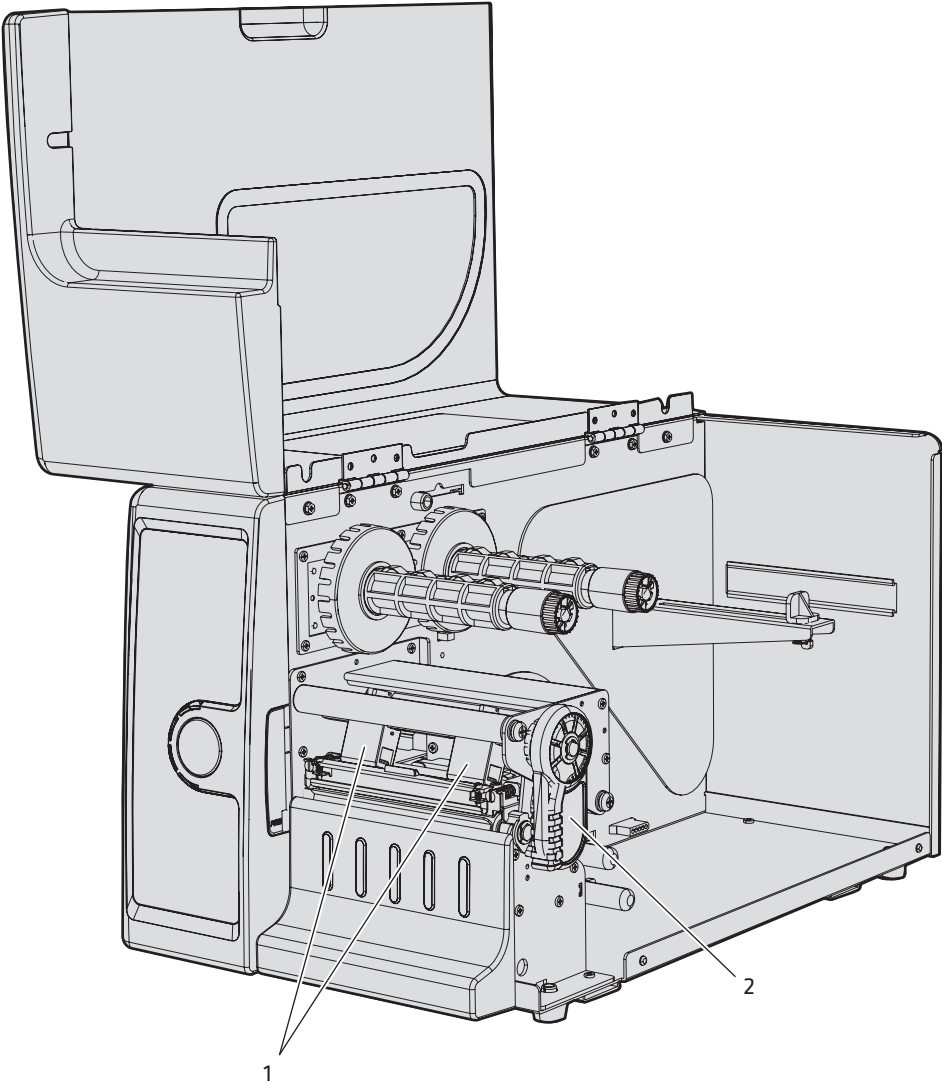
Print Unit Parts



Print Unit Spare Parts

Callout	Part Number	Description	Notes
1	141-000133-902	Print unit assembly	The print unit assembly includes the pressure box assembly and the thermal printhead (TPH) lever kit.
2	701-001600-001	Pulley, 44-tooth gear	
3	700-035903-001	Media guide, right	
4	700-030503-001	Media guide, left	
5	141-000054-902	Platen module	
6	141-000131-902	Headlift sensor with cable and bracket	

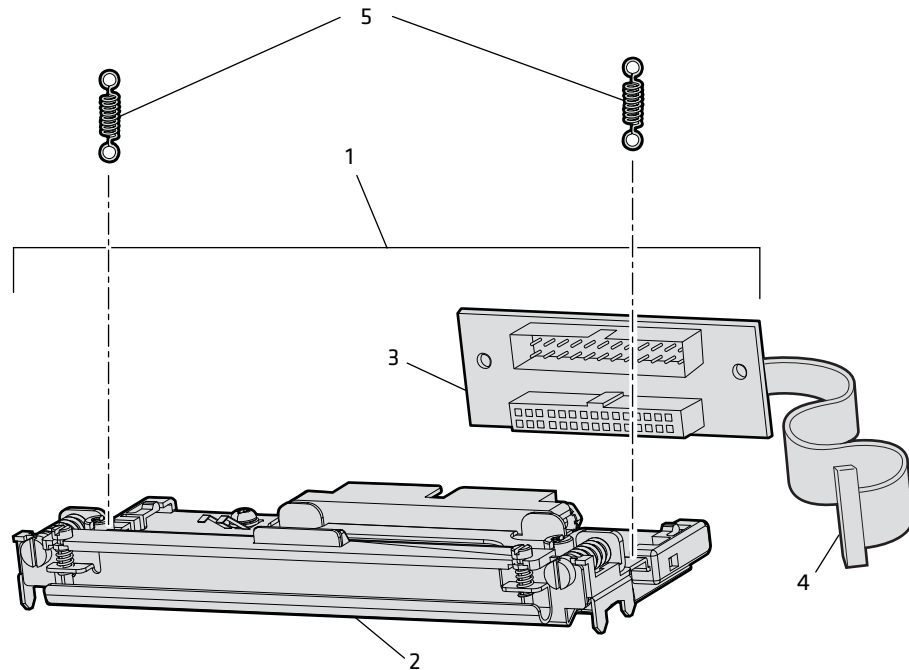
Pressure Box and Thermal Printhead Lever Kit



Pressure Box and Thermal Printhead Lever Spare Parts

Callout	Part Number	Description	Notes
1	141-000124-902	Pressure box assembly	Includes two pieces.
2	141-000126-902	Thermal printhead (TPH) lever kit	

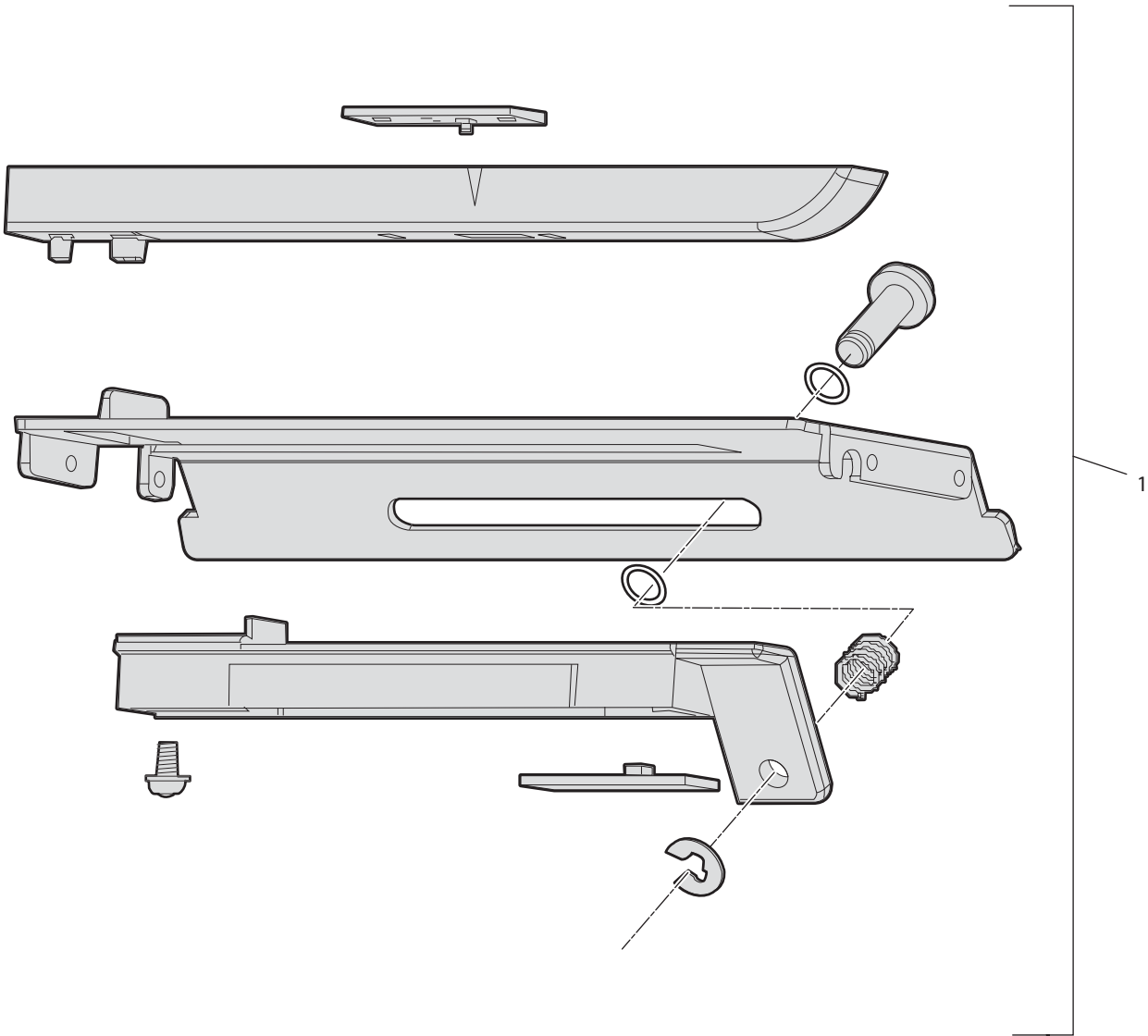
Thermal Printhead Module



Thermal Printhead Module Spare Parts

Callout	Part Number	Description	Notes
1	1-010105-900 1-010106-900	Thermal printhead, 200 dpi kit Thermal printhead, 300 dpi kit	Kit does not include printhead lift springs and adapter cables.
2	141-000044-962 141-000045-962	Thermal printhead module, 200 dpi Thermal printhead module, 300 dpi	
3	141-000106-902 141-000107-902	Thermal printhead PCB, 200 dpi Thermal printhead PCB, 300 dpi	
4	141-000110-902	Cable, PCB to main board	Both the 200 and 300 dpi versions use this cable.
5	141-000125-902	Printhead lift springs	Includes two springs.

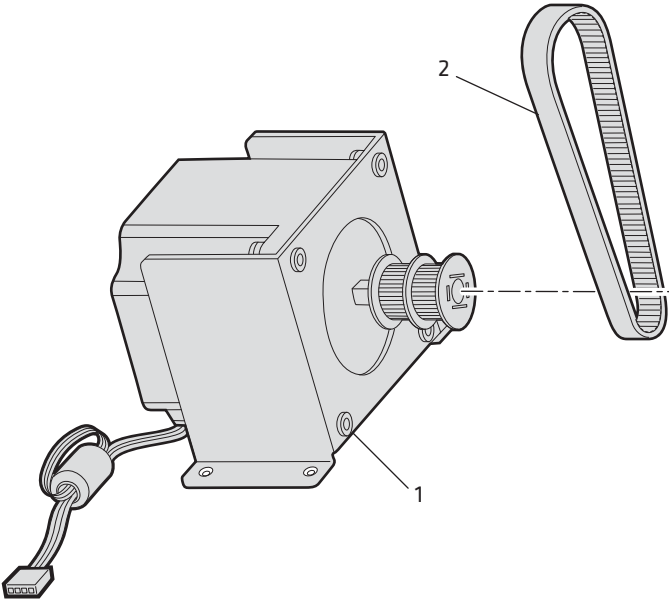
Label Gap Sensor Module



Label Gap Sensor Module Spare Parts

Callout	Part Number	Description	Notes
1	141-000042-902	Sensor, label module	Complete module includes cables.

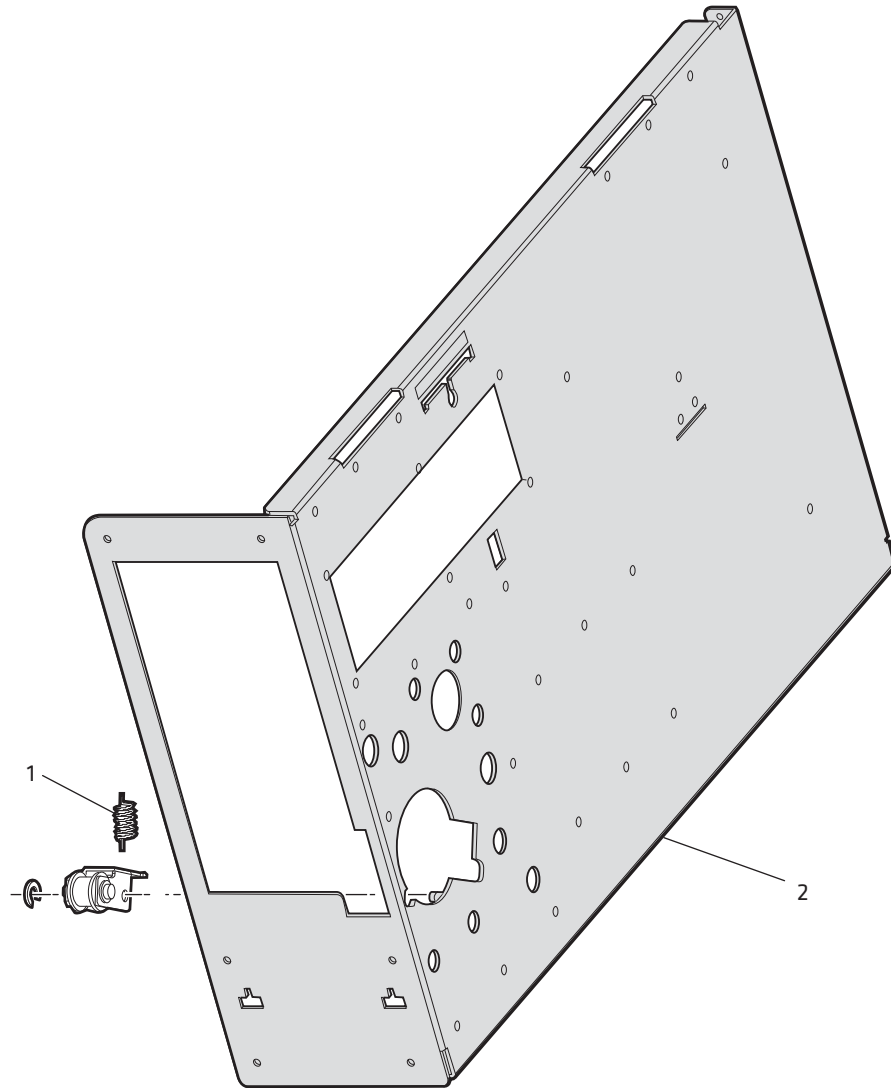
Motor Module



Motor Module Spare Parts

Callout	Part Number	Description	Notes
1	141-000108-902	Stepper motor module	Complete unit includes cable.
2	703-027700-001	Belt, 100MXL	

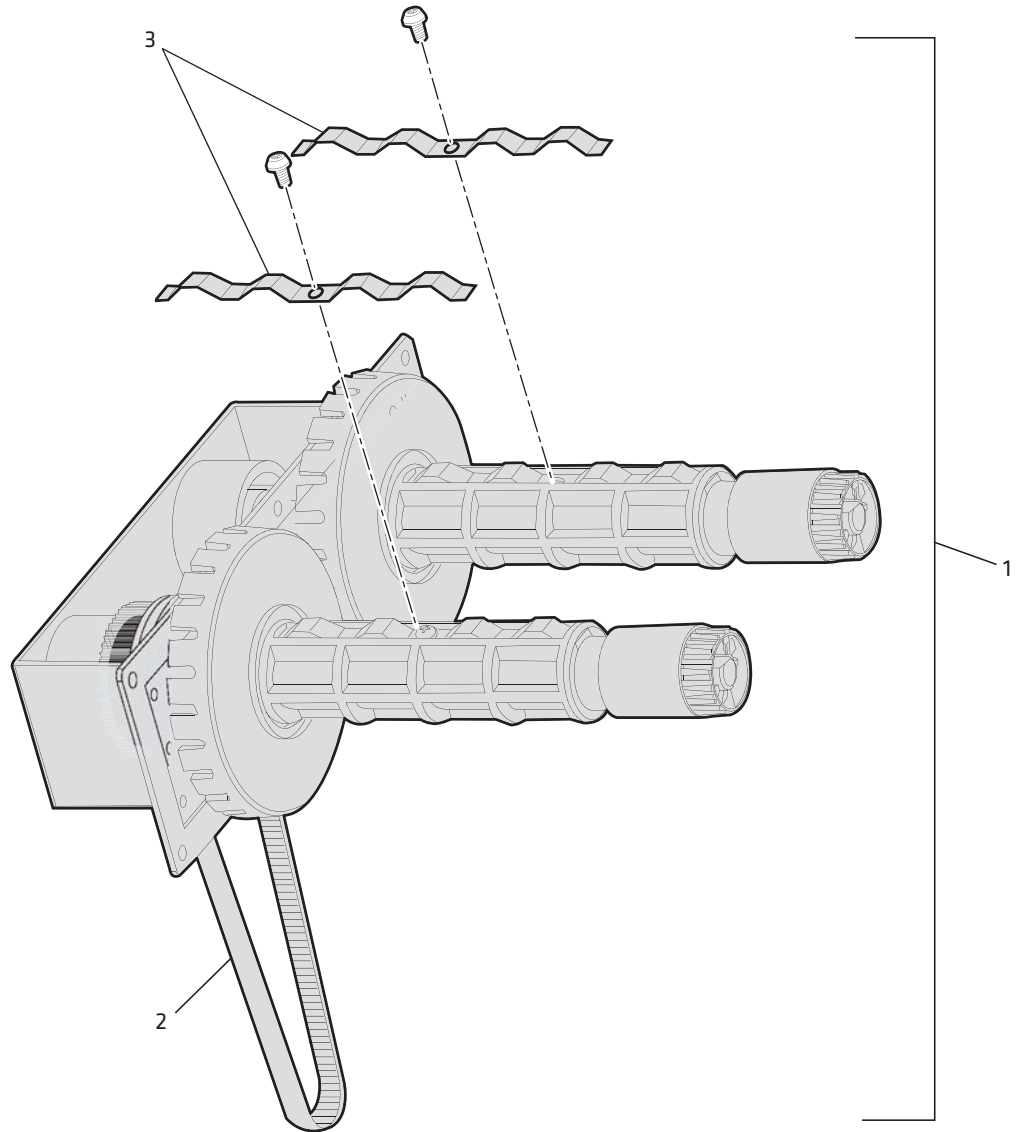
Belt Tension Spring



Belt Tension Spring Spare Parts

Callout	Part Number	Description	Notes
1	712-027300-001	Belt tension spring	
2	024-005002-000	PD41A/PD42A center section and post kit	Includes post, hook, guide plate, and edge guide kit from page 10 .

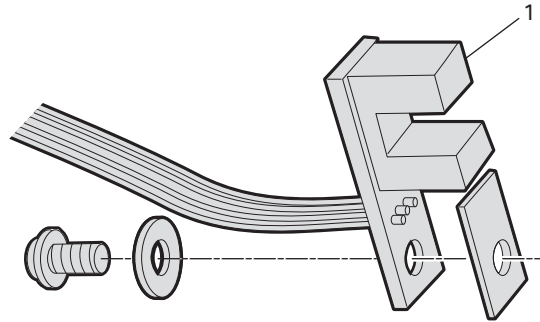
Ribbon Module



Ribbon Module Spare Parts

Callout	Part Number	Description	Notes
1	141-00024-982	Ribbon module	Complete unit includes belt and spring blades.
2	703-027800-011	Round belt 160MXL025	
3	710-027900-001	Ribbon core spring blade	Screws not included.

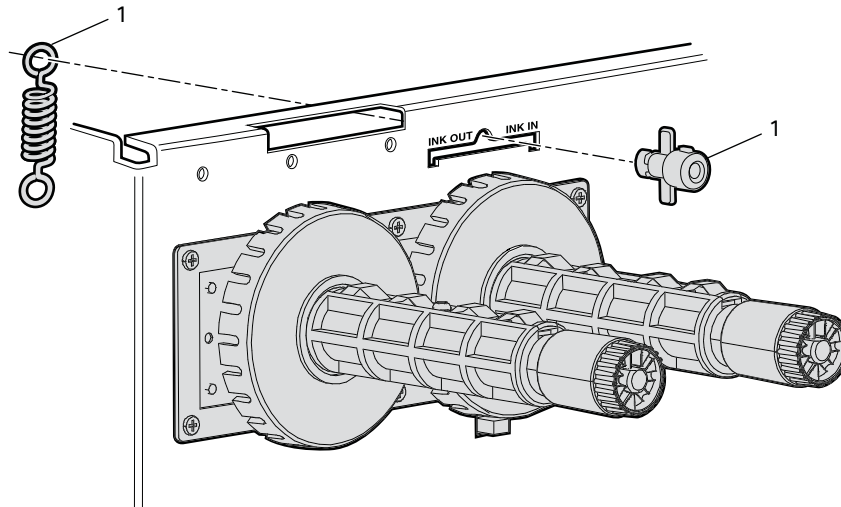
Ribbon Out Module



Ribbon Out Module Spare Parts

Callout	Part Number	Description	Notes
1	141-000052-902	Sensor, ribbon out, module	Includes cable.

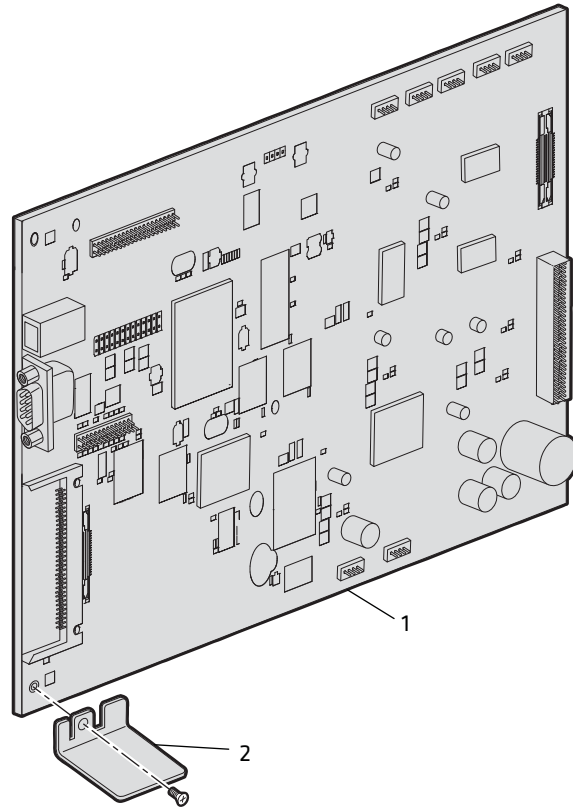
Ink Position Knob



Ink Position Knob Spare Parts

Callout	Part Number	Description	Notes
1	141-000075-982	Ink position knob	Includes spring.

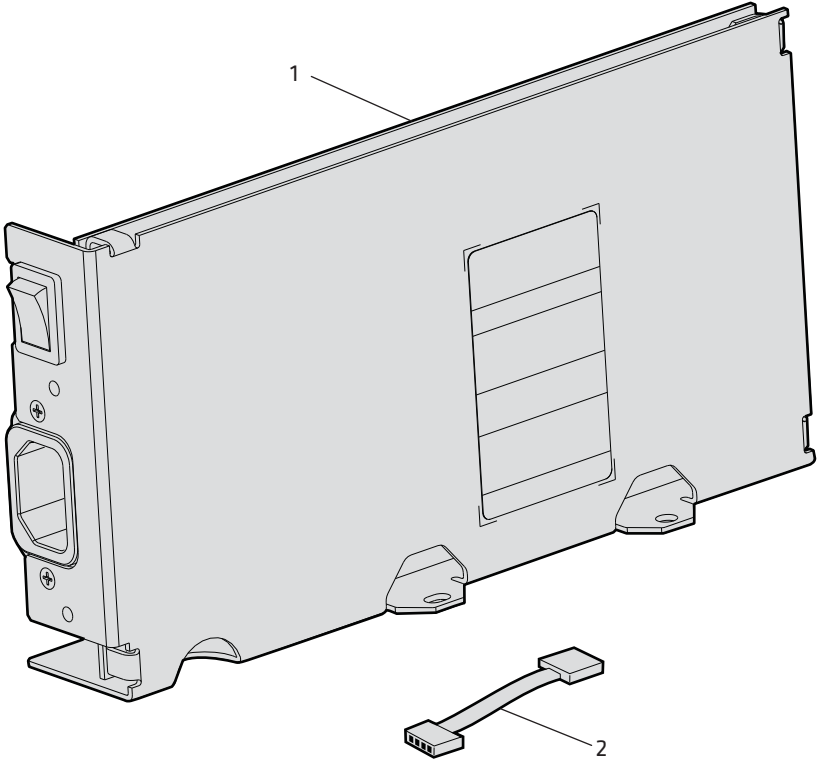
Main CPU Board



Main Board Spare Parts

Callout	Part Number	Description	Notes
1	1-971161-900	PD41A main CPU board assembly	
	1-971160-001	PD42A main CPU board assembly	
	1-971171-900	PD41B/PD42B CPU board assembly	
2	1-207124-900	PD41A/PD42A protective cover	
	655-148-001	PD41B/PD42B protective cover	

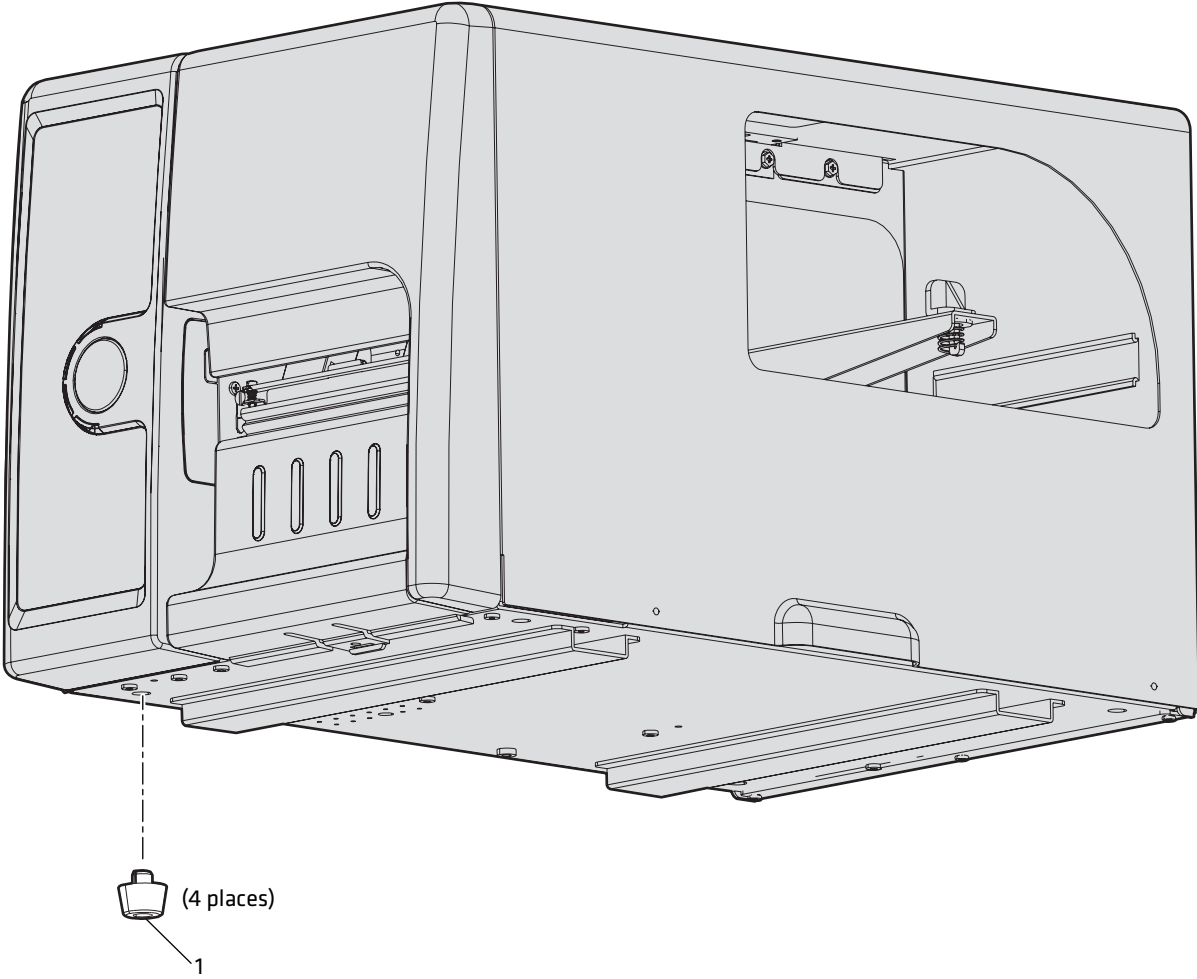
Power Supply Unit



Power Supply Unit Spare Parts

Callout	Part Number	Description	Notes
1	1-971166-900	Power supply unit	Complete unit.
2	141-000113-902	Cable, power supply unit to main CPU board	

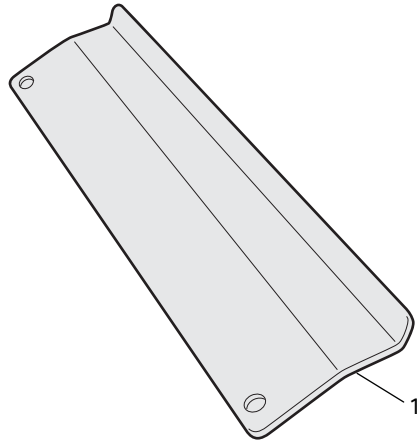
Plastic Feet



Plastic Feet Spare Parts

Callout	Part Number	Description	Notes
1	1-207089-900	Plastic feet	Includes 4 feet.

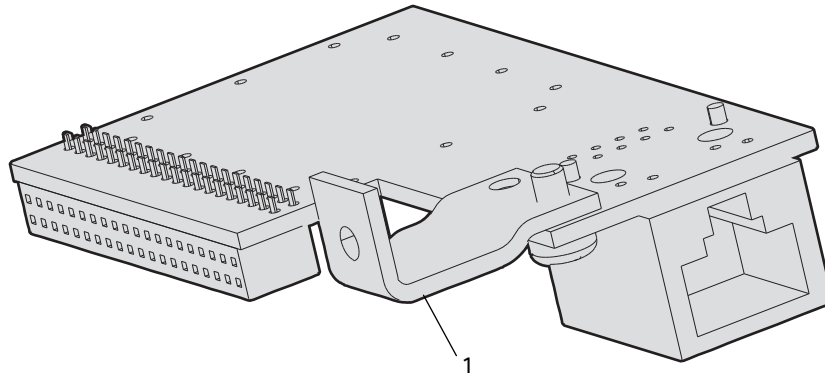
Strip Bar



Strip Bar Spare Parts

Callout	Part Number	Description	Notes
1	141-000130-902	Strip bar	

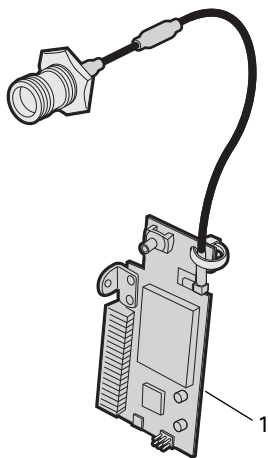
Ethernet Option



Ethernet Option Spare Parts

Callout	Part Number	Description	Notes
1	1-971165-800	PD41A/PD42A EasyLAN Ethernet option	

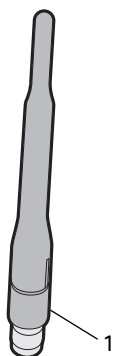
Wi-Fi Kit



Wi-Fi Kit Spare Parts

Callout	Part Number	Description	Notes
1	270-162-001	PD41B/PD42B Wi-Fi kit	Includes the 803-855-001 antenna.

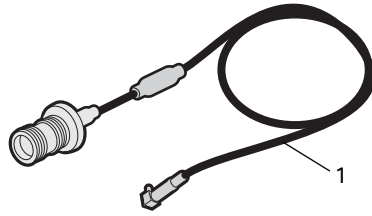
Antenna



Antenna Spare Parts

Callout	Part Number	Description	Notes
1	805-833-001	PD41B/PD42B 2.4 GHz and 5 GHz dipole antenna	

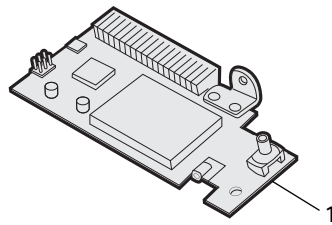
Cable Assembly



Cable Assembly Spare Parts

Callout	Part Number	Description	Notes
1	236-223-001	PD41B/PD42B TNC cable assembly	

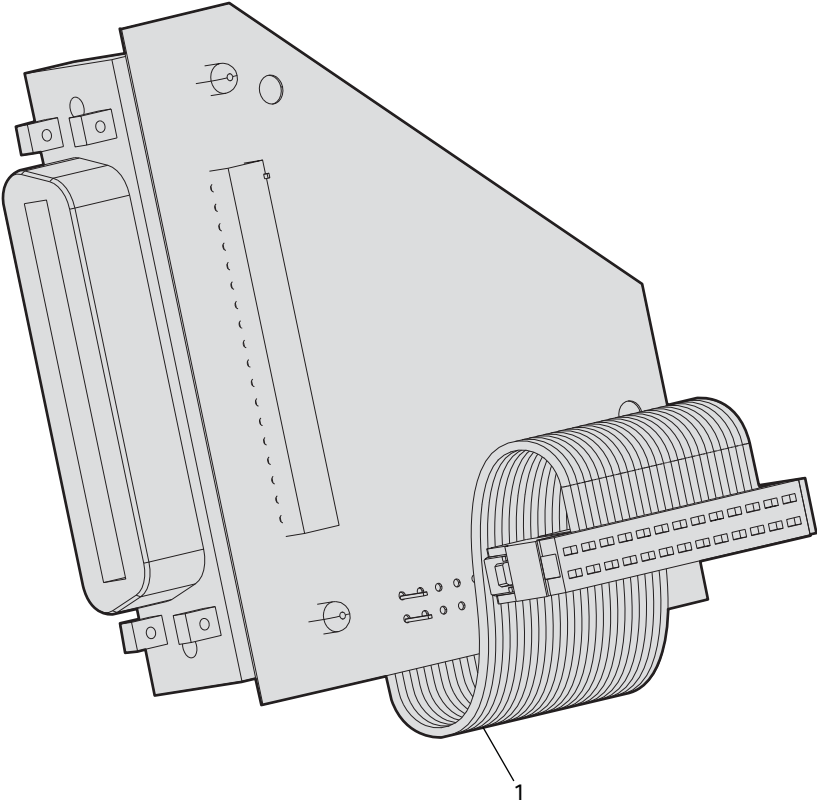
WLAN Board Assembly



WLAN Board Assembly Spare Parts

Callout	Part Number	Description	Notes
1	1-971157-002	802.11 bg WLAN board assembly	

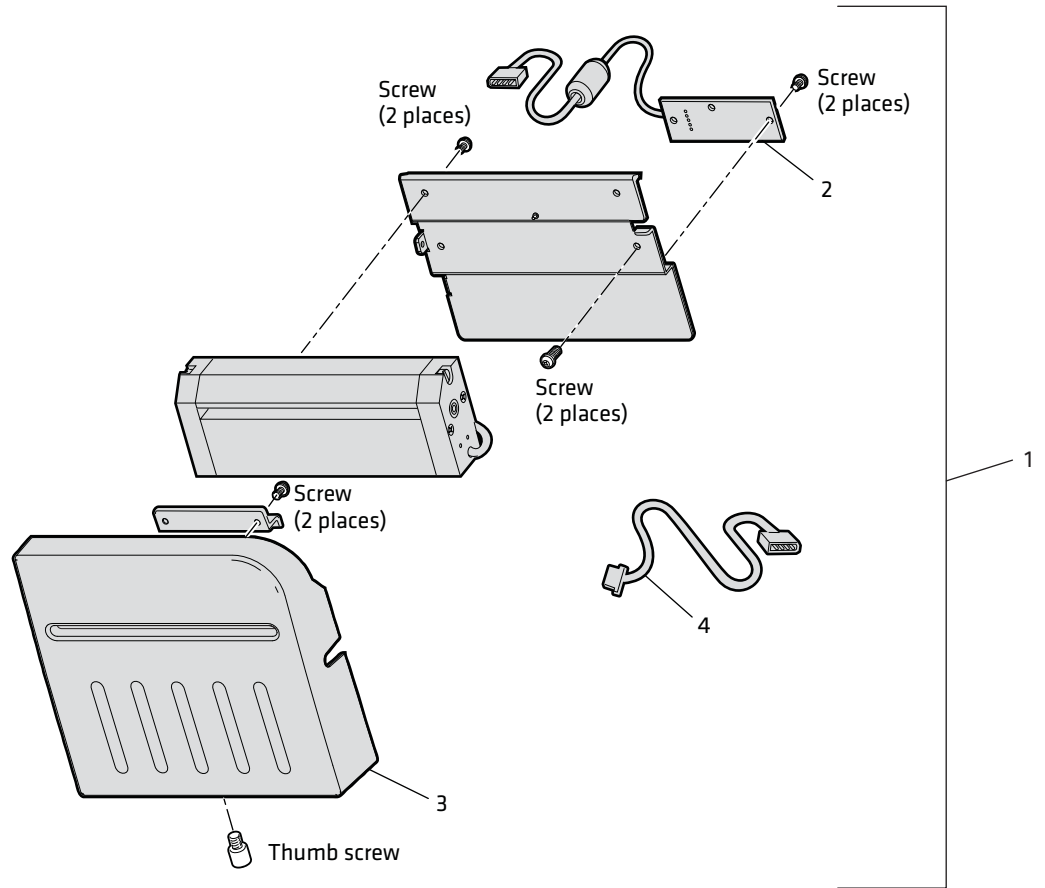
Parallel Card Option



Parallel Card Option Spare Parts

Callout	Part Number	Description	Notes
1	1-971164-800	Parallel IEEE 1284 interface card option	

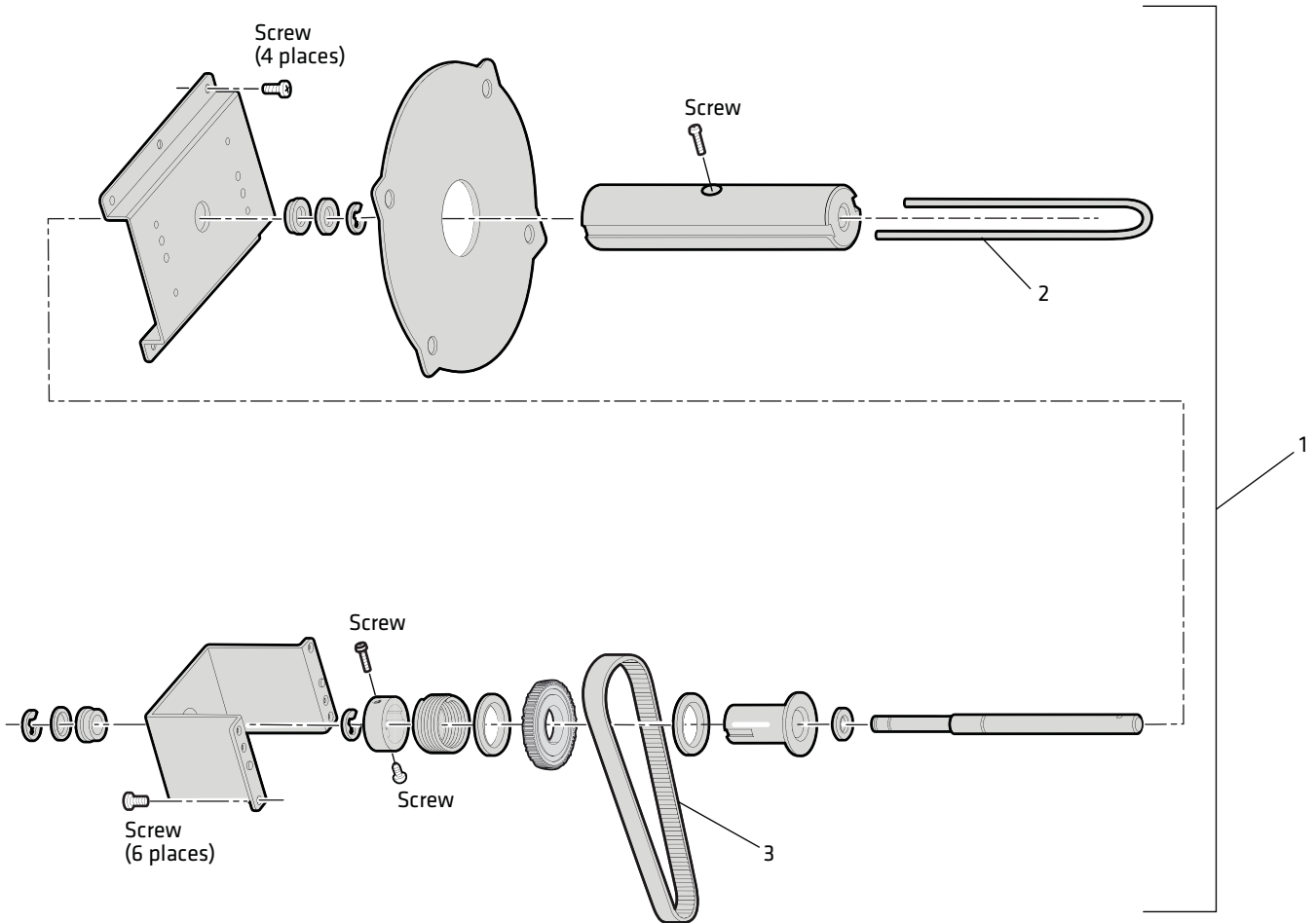
Cutter Module



Cutter Module Spare Parts

Callout	Part Number	Description	Notes
1	1-207109-801	Cutter module	Complete unit.
2	160-000064-202	Cutter PCB	Includes cable for the PCB to main plate.
3	1-207050-900	Cutter front lid, plastic molding	
4	141-000111-902	Cable cutter, main board to center plate	

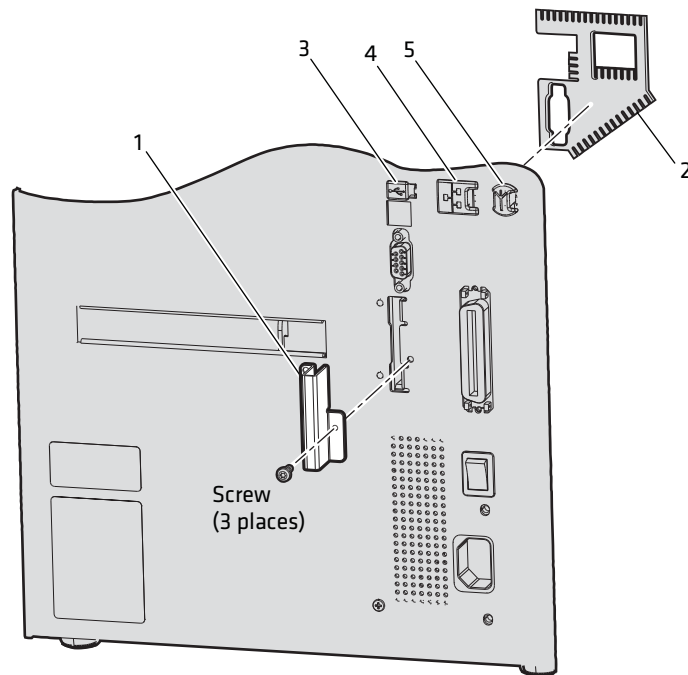
Rewinder Module



Rewinder Module Spare Parts

Callout	Part Number	Description	Notes
1	1-207084-800	Rewinder module, internal	The liner retention guide is included. The rewinder drive belt is not included.
2	074060-001	Liner retention clip	
3	703-027800-021	Rewind drive belt	
	655-171-001	Direct thermal cover	Not shown in the illustration.

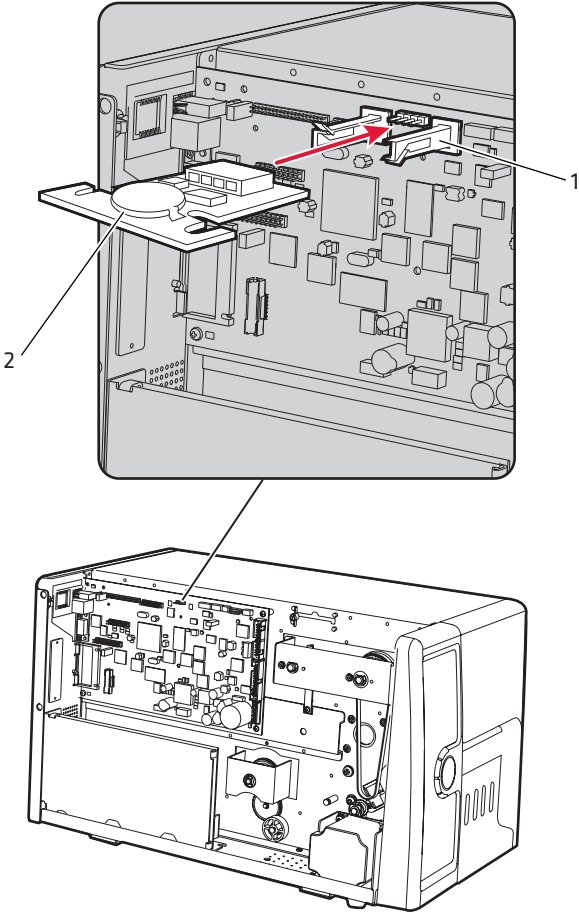
Compact Flash Cover Plate



Compact Flash Cover Plate Spare Parts

Callout	Part Number	Description	Notes
1	1-206179-01	Compact flash cover plate	
2	1-207111-900	PD41A/PD42A ESD plate, mounted on inside of case	
	655-146-001	PD41B/PD42B ESD shield plate	Not shown in the illustration.
3	1-207071-001	Cover, USB port	
4	1-206462-01	Cover, network port	
5	1-206463-02	Cover, antenna port	

Real Time Clock



Real Time Clock Spare Parts

Callout	Part Number	Description	Notes
1	760-005700-001	PCB card guide	2 stand-offs. For PD41B, PD42A, PD42B.
2	160-000187-000	Real time clock module	For PD41B, PD42A, PD42B.



Worldwide Headquarters
6001 36th Avenue West
Everett, Washington 98203
U.S.A.

tel 425.348.2600

fax 425.355.9551

www.intermec.com

© 2010 Intermec Technologies
Corporation. All rights reserved.

PD41 and PD42 Commercial Printer Spare Parts Catalog



P/N 940-003-001



www.L-TronDirect.com

800-830-9523

info@L-Tron.com

596 Fishers Station Dr | Victor, NY | 14564 | Suite 1 A

www.L-Tron.com

