

# Havis® Heavy Duty Angled Series

Computer Mount Console



*It's Smart,  
It's Safe,  
It's Stout!*

**HAVIS**  
Productivity in motion

# Heavy Duty Console Equipment

## Ideal Mounting Systems



C-SM-830 shown with Motorola MW800 monitor & keyboard, and Pentax PocketJet printer



- Low profile, safe and strong.
- Specifically designed for sturdy, compact computer mounting.
- 2 piece housing allows for adjustable height (Expands 1" or 2" to provide additional internal mounting depth)
- Independent keyboard and monitor brackets allow installer to customize height positioning.
- Swing arm feature provides easy and comfortable positioning of keyboard or laptop.
- Mounts to vehicle hump bracket or trak mount base, ordered separately (with trak mount recommended)
- Accepts all Heavy Duty Console equipment brackets & filler plates (Up to 8").
- Modular design allows for add-on options such as:
  - Slide out printer mount (C-PMS)
  - Low profile console extension (keeps control heads below seats) (C-SM-800)
  - Cup holder, lighter outlets, & most Havis Console accessories.

## Heavy Duty Swing Arm

The heavy duty swing arm is a perfect mount for laptop computers or keyboards. The height is set at installation so there is no need for up/down mechanisms that are rarely used. The swing-arm is safely locked into stored position or released for use by a spring lock.



C-SM-830 shown with Dell Latitude Laptop, and Pentax PocketJet printer



# Related Equipment



Assembled Part Breakdown:

- 1 C-3082-1
- 2 C-SM-830 (Housing only)
- 3 C-SM-SA-1
- 4 C-SM-MMP
- 5 C-PMS

## C-SM-830

8" Enclosed 30° Angle Heavy Duty Series Console Housing

- 7.25" high, 9" wide, 13" length, 7.75" max. depth, min. depth 3.5"



Shown with optional C-3065-3

## C-SM-SA-1

Mounting Bracket Complete with Swing Arm Adapter for Heavy Duty Series & Standard 9" wide Consoles

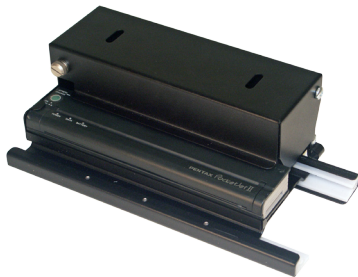
- 9" wide; 12 gauge steel with welded corners
- Solid ½" machined aluminum swing arm
- Spring pin locks arm in stored position
- Mounts to C-SM Series Console Platform
- Accepts all tilt/swivel or hat brackets



## C-SM-MMP

Monitor Mounting Bracket for Heavy Duty Series & Standard 9" wide Consoles

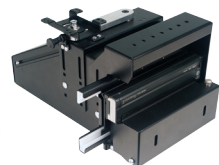
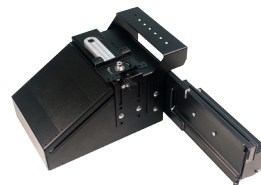
- 9" wide; 12 gauge steel with welded corners
- Mounts to C-SM Series Console Platform
- Accepts all tilt/swivel or hat brackets (ordered separately)
- Specifically designed for monitor mount brackets (C-UMM Series)



## C-PMS

Printer Mount Slide Tray

- Bolts to Console housing or any flat surface
- Slides out towards passenger side
- Designed for Pentax Pocketjet Printer only
- Order Printer Mount housing separately (Part # C-PM-101)



# Havis® Heavy Duty Angled Series

## Related Equipment



### C-SM-600

6" Low Profile Stout Mount Series Console

- 3" high, 9" wide, 6" length, (low profile)
- Adjustable height (Expands to accept items deeper than 3 inches)
- Accepts Havis-Shields Consolidator® accessories & control head equipment brackets
- Includes up to 8" of C-EB equipment brackets or C-FP filler plates

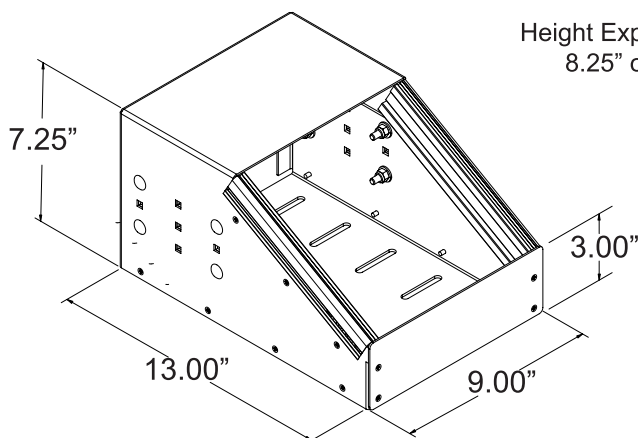


### C-SM-SA

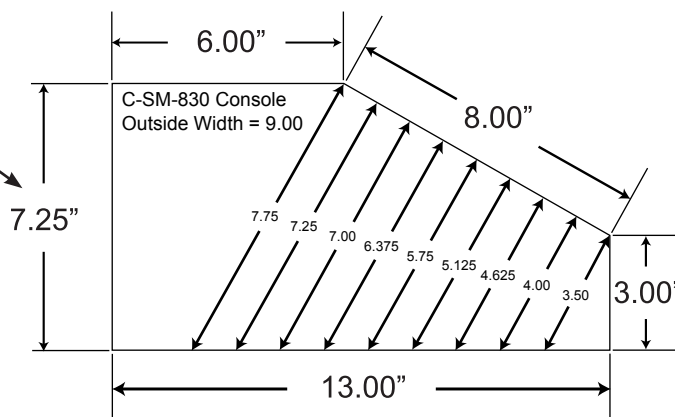
Universal Mounting Bracket for Heavy Duty Series & Standard 9" wide Consoles

- 9" wide; 12 gauge steel with welded corners
- Mounts to C-SM Series Console Platform
- Accepts all tilt/swivel or hat brackets

## Critical Measurements



Height Expandable to 8.25" or 9.25"





[www.L-TronDirect.com](http://www.L-TronDirect.com)

800-830-9523

[info@L-Tron.com](mailto:info@L-Tron.com)

596 Fishers Station Dr | Victor, NY | 14564 | Suite 1 A

[www.L-Tron.com](http://www.L-Tron.com)

