

Heavy Duty Passenger Side Mount

Heavy Duty Computer Mounting System



Heavy Duty Mounts



The Havis Heavy Duty Mount is a rugged, professional grade computer mount that combines the perfect balance of strength, safety, and ultra-smooth operation worthy of your most mission critical computer devices.

- Heavy Duty Mounts are stout: Heavy gauge steel poles, welded, rigid seat bases along with its universal support arms virtually eliminate wobble and vibration that can make reading difficult.
- Heavy Duty Mounts are safe: A standard stop collar allows the installer to adjust the height and limit the computer from telescoping below desired height. Order the optional top lock and the entire rotation can be positively locked in place to prevent the unit from spinning in a collision or air bag deployment.
- Heavy Duty Mounts are smooth. Designed with a unique precision machined aluminum clamp and lever along with a PVC split sleeve for no metal-to-metal contact when adjusting the pole. All moving parts have a glossy, ultra smooth e-coat finish which further reduces friction. Order the optional "lift assist" gas shock kit that you can drop in the pole assembly and the Heavy Duty Mount will help you do the lifting and prevents the heavy equipment from slamming down.

Swing Arm Motion Device and Tilt/Swivel Mount help to position computer in the middle of your vehicle for safety and comfort of the occupants.
(C-MD-102)



Height Adjustable Poles bolt to any C-HDM-100 Series Base.
(C-HDM-200 Series)



Stability support arm adds upper support for premium top level stability.
(C-HDM-400 Series)



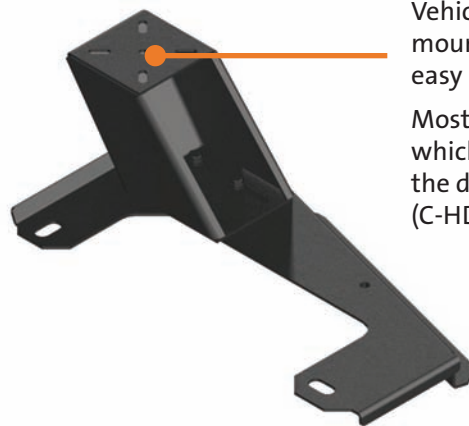
Precision machined parts eliminate metal-to-metal contact and allow smooth movement during height adjustment.

Built in theft deterrence as the inner pole is captive due to lower guide bushing.

Optional "Lift Assist" Gas Shock helps smoothly lift heavy equipment.

Vehicle Specific Mounting Bases mount to existing OEM seat bolts for easy installation.

Most include angled offset brackets which position the system closer to the driver for ease of use.
(C-HDM-100 Series)



Visit www.havis.com/HDM to configure your own Heavy Duty Mount system.

Heavy Duty Mount System

Vehicle Specific Bases

Havis' newly re-designed Heavy Duty Bases (C-HDM-100 Series) are a rugged, professional grade computer mount that combines the perfect balance of strength, safety, and ultra-smooth operation worthy of your most mission critical computer devices.

- Heavy duty vehicle specific mounting base mount to existing OEM seat bolts
- Works in conjunction with Havis, inc. hump mount brackets
- Manufactured from 10 gauge steel
- Gusseted and welded design for extra strength mounts independently of a console
- Configurable for many universal laptop, keyboard and docking station mounts
- Works with C-HDM-200 Series telescoping poles for easy installation (sold separately)



Telescoping Poles

Havis' Heavy Duty Telescoping poles mount to the C-HDM-100 Series Bases and provide easy up and down adjustment to your computer mount.

- Heavy duty telescoping pole with precision machined solid billet aluminum clamp collar
- Manufactured from heavy gauge steel poles and close tolerance PVC bushings on all bearing surfaces
- Precision machined parts eliminate metal to metal contact and allow smooth movement during height adjustment
- Configurable for many universal laptop, keyboard and docking station mounts
- Bolts to C-HDM-100 series vehicle specific bases for easy installation (sold separately)
- Height adjustable with clamp collar latch to set telescoping height and 360° rotation
- Standard adjustable stop collar limits the computer from telescoping below desired height



Motion Devices & Options

Havis' offers a full line of options that improve ergonomics and enable comfortable use of all equipment. Motion Devices feature an adjustable quick-release handle which makes positioning laptops and docking stations safe and easy.

- Swing Arms with motion adapters are ideal for computer usage from both the driver and front passenger seats. Their ruggedized design protects occupants and equipment in quick maneuvers and crash situations (C-MD-102)
- Tilt/Swivel motion devices enable 180° horizontal rotation for laptops and docking stations. Used to mount keyboards mounts, laptop mounting plates, docking stations and more to HDM poles (C-MD-202)
- Side support arms add upper pole support for premium top level stability and are highly recommended for all HDM applications (C-HDM-401/404)
- Heavy duty "lift assist" gas shocks help smoothly lift heavy mounts and prevents computer equipment from slamming down when the clamp is unlocked (C-HDM-405/406/407/408/415)



Visit www.havis.com/HDM to configure your own Heavy Duty Mount system.

How to Order HDM Mounts

Bases, Poles, Top Offset Platforms, and Options are ordered as individual components. The Heavy Duty Mount is designed to be a modular system that utilizes interchangeable parts.

Visit www.havis.com/HDM to configure your own Heavy Duty Mount system.

1 Select your Vehicle Specific Base (100 Series)

Chevrolet/GMC		
Tahoe/Silverado	2000-2011	C-HDM-102
Impala	2006-2011	C-HDM-103
Colorado	2003-2011	C-HDM-111
Envoy	2003-2009	C-HDM-125
Trailblazer	2003-2009	C-HDM-125
G-Series/GM Express	1997-2011	C-HDM-139
G-Series/GM Express	1997-2011	C-HDM-107
Caprice	2011	C-HDM-154

Dodge		
Charger/Magnum	2006-2010	C-HDM-104
Ram Pick Up	2003-2011	C-HDM-111
Dakota	2005-2010	C-HDM-120
Durango	2004-2009	C-HDM-122
Sprinter	2007-2010	C-HDM-131
Charger	2011	C-HDM-144
Town & Country	2011	C-HDM-146
Journey	2011	C-HDM-147
Ram Pick Up	2007-2011	C-HDM-152

Ford		
Crown Victoria	1995-2011	C-HDM-101
E-Series Van	1997-2011	C-HDM-106
E-Series Van	1997-2011	C-HDM-140
F-150	2004-2011	C-HDM-108
Expedition/F-250	1997-2011	C-HDM-109
Explorer	2002-2009	C-HDM-110
Fusion	2007-2010	C-HDM-112
Ranger	1999-2011	C-HDM-115
Focus	2008-2010	C-HDM-118
Taurus	2008-2009	C-HDM-119
Escape	2001-2011	C-HDM-123
Edge	2006-2010	C-HDM-132
Explorer	2010	C-HDM-137
Explorer/Interceptor	2010	C-HDM-153
Taurus	2010-2011	C-HDM-141
F250-F550 Pickup	2011	C-HDM-142
Transit	2009-2011	C-HDM-143

Honda		
Civic	2006-2009	C-HDM-121

Jeep		
Liberty	2002-2009	C-HDM-127
Grand Cherokee	2011	C-HDM-145
Wrangler	2011	C-HDM-148

Nissan		
Altima	2007-2009	C-HDM-116

Toyota		
Camry	2005-2009	C-HDM-117
Prius	2004-2009	C-HDM-129
Tundra	2007-2010	C-HDM-130

Universal Mounts	
Universal Side Mounts	C-HDM-114
Fixed 90° Angle Mount	C-HDM-124
Universal Angle Base	C-HDM-133
1" Universal Adapter Base	C-HDM-134
2" Universal Adapter Base	C-HDM-135
Universal HDM Base Mount	C-HDM-136

2 Select your Telescoping Pole (200 Series)

Part Number	Description
C-HDM-201	5.5"-8.5" Telescoping Pole w/ Handle
C-HDM-202	8.5"-14" Telescoping Pole w/ Handle
C-HDM-203	12"-21.5" Telescoping Pole w/ Handle
C-HDM-206	16"-29.5" Telescoping Pole w/ Handle
C-HDM-207	4.5"-4.75" Telescoping Pole
C-HDM-208	5.5"-8.5" Telescoping Pole
C-HDM-209	8.8-14" Telescoping Pole
C-HDM-210	12"-21.5" Telescoping Pole
C-HDM-211	16"-29.5" Telescoping Pole

Part Number	Description
C-HDM-212	16" Telescoping Pole w/ gusseted base
C-HDM-213	12" Telescoping Pole w/ handle
C-HDM-214	8.5" Telescoping Pole, side mount
C-HDM-215	14" Telescoping Pole, side mount
C-HDM-216	12" Telescoping Pole, side mount
C-HDM-217	16" Telescoping Pole w/ gusseted base

Side and Floor Mount Telescoping Poles are also available for equipment mounting. Please visit www.havis.com to view these poles and options.

3 Motion Devices & Platforms

Part Number	Description
C-MD-102	Swing Arm, Slide out, Tilt/Swivel Action Adapter with Handle
C-MD-104	Swing Arm without Action Adapter
C-MD-202	Low Profile Tilt/Swivel Motion Device with Handle
C-HDM-301	0" Fixed Mount Adapter
C-HDM-302	3" Fixed Mount Adapter
C-HDM-303	6" Fixed Mount Adapter
C-HDM-304	9" Fixed Mount Adapter

4 Additional Options to complete your system

Part Number	Description
C-HDM-401	Side Mount Support Arm
C-HDM-403	Removable Peripheral & Accessory Shelf for C-HDM-200
C-HDM-404	Side Mount Van Support Arm
C-HDM-405	"Lift Assist" Gas Shock for C-HDM-201
C-HDM-406	"Lift Assist" Gas Shock for C-HDM-202
C-HDM-407	"Lift Assist" Gas Shock for C-HDM-203, C-HDM-213
C-HDM-408	"Lift Assist" Gas Shock for C-HDM-205
C-HDM-415	"Lift Assist" Gas Shock for C-HDM-206, C-HDM-217
C-HDM-416	Heavy Duty Pole Clamp Bracket

Additional options are available, visit www.havis.com/hdm to configure your own Heavy Duty Mount system.



www.L-TronDirect.com

800-830-9523

info@L-Tron.com

596 Fishers Station Dr | Victor, NY | 14564 | Suite 1 A

www.L-Tron.com

