

# Ultra Compact Ethernet Serial Servers Power Edge



## VESR900 Series - Fiber Models



### PRODUCT FEATURES

- Ethernet enable serial devices
- Direct IP, virtual COM port, or paired mode
- Ethernet pass-through port available
- Ethernet fiber options
- Serial RS-232/RS-422/485 ports
- UL Class 1 Division 2

Take control of your serial devices with Vlinx™ VESR9xx Industrial Ethernet Serial Servers. If it has a serial port, it can be monitored and controlled from anywhere on your Ethernet LAN or WAN. Keep it at maximum productivity without leaving your office. Even troubleshoot it from outside your LAN via the Internet. The easy to use Vlinx™ Manager software puts access to your whole shop on your desk. Configure devices, upgrade firmware and monitor activity. Configuration changes can also be made using a web browser.

Multiple fiber optic options make integration into any existing network quick. No need to purchase an extra media converter when you can choose from multi-mode SC/ST or 15km single-mode SC/ST.

VESR92x series servers also feature an additional copper RJ45 port that allows you to connect another Ethernet device or PC work-station. This Pass-through port functions much like an unmanaged switch.

Heartbeat connectivity keeps the serial server on-line. If connectivity is lost it will attempt to reconnect every five seconds until a connection is regained. A manual reboot is not required when communications are restored.

### ORDERING INFORMATION

MODEL NUMBER	SERIAL PORTS	SERIAL CONNECTORS	ETHERNET MEDIA	ETHERNET CONNECTORS
VESR921-MC	1	DB9 & TB	CAT 5, Multi-mode Fiber	One RJ45, One SC
VESR921-MT	1	DB9 & TB	CAT 5, Multi-mode Fiber	One RJ45, One ST
VESR921-SC	1	DB9 & TB	CAT 5, Single Mode Fiber	One RJ45, One SC
VESR922T-MC	2	TB	CAT 5, Multi-mode Fiber	One RJ45, One SC
VESR922T-MT	2	TB	CAT 5, Multi-mode Fiber	One RJ45, One ST
VESR922T-SC	2	TB	CAT 5, Single Mode Fiber	One RJ45, One SC

+ All serial ports are software configurable for RS-232, RS-422, or RS-485.

*For Copper options please see page 152.*

### ACCESSORIES

MDR-40-24 - DIN rail mount power supply 24VDC, 1.7 A output power

ESR35 - DIN Rail 1 Meter 35mm Steel

DRPM25 - 35mm DIN Rail to Panel Mount Bracket

TBKT2 - Replacement Terminal Block, One 5 Position 5.08 mm

TBKT1 - Replacement Terminal Block, One 2 Position 5.08 mm

# Ultra Compact Ethernet Serial Servers

VESR900 Series - Fiber Models

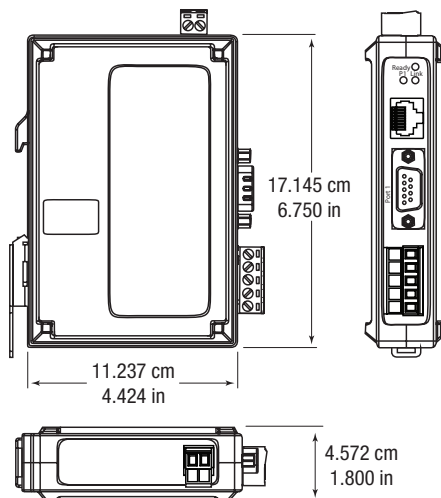


## SPECIFICATIONS

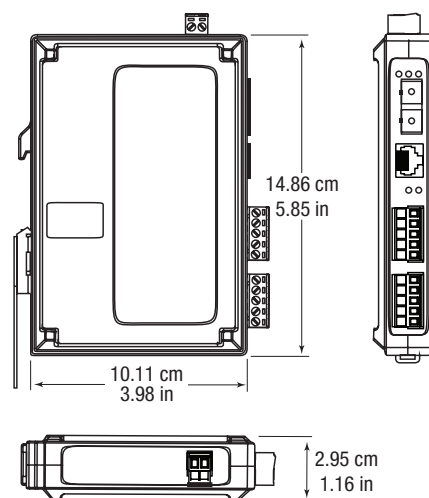
FIBER OPTIC TECHNOLOGY		
	VESR9xx-Mx	VESR9xx-Sx
Type / Wavelength	Multi-mode / 1310 nm	Single-mode / 1310 nm
Output Power	(-) 19 to (-) 14 dBm	(-) 15 to (-) 8 dBm
Receive Sensitivity	~ (-) 32 dBm	~ (-) 32 dBm
Cable	62.5 / 125 $\mu$ m	9 / 125 $\mu$ m
Connector	SC or ST	SC or ST
Range	2 km (1.2 miles)	15 km (9.3 miles)
SERIAL TECHNOLOGY		
RS-232	TD, RD, RTS, CTS, DTR, DSR, DTD, GND	
RS-485 2-Wire	Data A(-), Data B(+), GND	
RS-422/485 4-Wire	TDA(-), TDB(+), RDA(-), RDB(+), GND	
Serial Connector	DB9M or Removable Terminal Blocks	
Data Rate	Up to 230.4 Kbps	
POWER		
Source	External	
Input Voltage	10 to 48 VDC (58 VDC Maximum)	
Connector	Removable Terminal Block (12 – 28 AWG)	
Power Consumption	VESR92x: 6.0 Watts Max.	
MECHANICAL		
LED Indicators	Serial Port, Ethernet Link, Ready	
Switches	Reset Button	
Dimensions	VESR92x: 14.86 x 10.11 x 2.96 cm (5.85 x 3.98 x 1.16 in)	
Enclosure	35mm DIN mount, Plastic, IP 30	
Weight	VESR92x: 204.1 g (0.45 lbs)	
ENVIRONMENTAL		
Operating Temperature	-40 to 80°C (-40 to 176°F)	
Operating Humidity	10 to 95% Non-condensing	
MTBF	VESR92x: ~ 102593 hours	
MTBF Calc Method	Parts Count Reliability Prediction	

NETWORK	
Serial Memory	8 KB per port
Network Memory	4 KB
NETWORK COMMUNICATIONS	
LAN	10/100 Mbps Auto-detecting, 10BaseT or 100BaseTX
NETWORK PHYSICAL LAYER STANDARDS	
Ethernet	IEEE 802.3 auto detecting & auto MDI/MDX, 10BaseT and 100Base TX
PROTOCOLS	
Protocols	TCP, IPv4, UDP, ARP, HTTP 1.0, ICMP/PING, DHCP/BOOTP
IP Mode	Static, DHCP
TCP/UDP	User definable
OTHER	
Connection Mode	Server, Client, VCOM, Paired
Client Connection	At power up or upon data arrival
Search	Serial direct COM and Ethernet Auto Search or specific IP
Diagnostics	Display PC IP, ping, test VCOM, save test config (text readable)
Firmware Upgrade	Vlinx Manager
ETHERNET PASS-THROUGH PORT (VESR92X)	
Standards	IEEE 802.3, 802.3u, 802.3x
Processing Type	Store and Forward with 802.3x full duplex, non blocking flow control
Flow Control	IEEE 802.3x flow control, back pressure flow control
MAC Address Table	2K
CONFIGURATION SOFTWARE	
Vlinx Manager	Windows 2000, XP (32/64 bit), 2003 Server (32/64 bit), Vista (32/64 bit), 2008 Server (32/64 bit), Win 7 (32/64 bit)
REGULATORY / CERTIFICATIONS / SAFETY	
Compliance	FCC, CE, NEMA TS2 UL Listed, File E222870 UL Class 1 Division 2 Groups A, B, C, D (HAZLOC) File E245458

## MECHANICAL DIAGRAM - VESR90X MODELS



## MECHANICAL DIAGRAM - VESR92X MODELS





[www.L-TronDirect.com](http://www.L-TronDirect.com)

800-830-9523

[info@L-Tron.com](mailto:info@L-Tron.com)

596 Fishers Station Dr | Victor, NY | 14564 | Suite 1 A

[www.L-Tron.com](http://www.L-Tron.com)

Get in touch with us  
on social media!

