

Smallest, Most Reliable Switching Media Converter

MiniMc LFPT



Media conversion is the most cost-effective solution for extending the productive life of legacy wiring plants and equipment while allowing implementation of new technologies. Measuring less than 3.5 inches deep and 2 inches wide, the MiniMc LFPT is one of the industry's smallest media converters with both data connections on the same side of the unit. An optional fiber SFP port gives network operators the flexibility to upgrade network equipment to different fiber interfaces. Link Fault Pass Through (LFPT) can be enabled/disabled via a DIP Switch on the unit, and is a useful diagnostic feature that assists the network administrator in indicating a fault condition on a given segment between the interfaces.

Designed and manufactured in the USA, the MiniMc LFPT extends 10 and 100 Mbps twisted pair network segments up to 80 km over fiber. Both a media and data rate converter, the MiniMc LFPT features 10/100 Auto Negotiation on the copper port while the fiber port operates at 100 Mbps full duplex. MiniMc LFPT 10/100 switching fiber converters are ideal for all premises, FTTH, LAN-to-LAN or LAN-to-MAN fiber networking applications.

Multiple powering options include a country-specific AC wall adapter or USB-power cord. The unit can also be installed into the IE-PowerTray/18-AC which allows for 18 converters in only 1.5U of rack space, DIN Rail mounted, or with a rack mount bracket.

ACCESSORIES

- 806-39105 - DIN Rail Clip
- 806-39628 - USB 36"/.9m Power Cable (for MiniMc only)
- 806-39629 - USB 12"/.3m Power Cable (for MiniMc only)
- 806-39638 - Double-USB Power Cable, 36"/.9m
- 806-39650 - 12"/.3m Barrel-Connector Power Cable
- 850-13086 - IE-PowerTray/18-AC (-20°C to +70°C), 18-slot AC powered chassis
- 895-39229 - Wall Mount Bracket

PRODUCT FEATURES

- One 100 Mbps FDX fiber port or 1 SFP fiber port
- One 10/100 Base-TX twisted pair port
- AutoCross automatic selection between crossover or straight-through connection
- Supports Link Fault Pass Through

ORDERING INFORMATION

MODEL NUMBER	FIBER	FIBER PORTS	RANGE	ETHERNET PORTS	ETHERNET CONNECTOR
MiniMc LFPT SFP *					
855-11619	SFP	1	Various	1	RJ45

* SFP Fiber sold separately

ORDERING INFORMATION

MODEL NUMBER	FIBER	FIBER PORTS	RANGE	ETHERNET PORTS	ETHERNET CONNECTOR
MiniMc LFPT, TP-TX/FX					
855-11620	MM850-ST	1	2 km	1	RJ45
855-11621	MM850-SC	1	2 km	1	RJ45
855-11622	MM1300-ST	1	5 km	1	RJ45
855-11623	MM1300-SC	1	5 km	1	RJ45
855-11624	SM1310/PLUS-ST	1	40 km	1	RJ45
855-11625	SM1310/PLUS-SC	1	40 km	1	RJ45
855-11626	SM1310/LONG-ST	1	80 km	1	RJ45
855-11627	SM1310/LONG-SC	1	80 km	1	RJ45
855-11641	SM1550/LONG-SC	1	80 km	1	RJ45
SINGLE STRAND FIBER **					
855-11650	SSFx-MM1300-SC	1	2 km	1	RJ45
855-11651	SSFx-MM1550-SC	1	2 km	1	RJ45
855-11652	SSFx-SM1310-SC	1	20 km	1	RJ45
855-11653	SSFx-SM1550-SC	1	20 km	1	RJ45
855-11654	SSFx-SM1310/PLUS-SC	1	40 km	1	RJ45
855-11655	SSFx-SM1550/PLUS-SC	1	40 km	1	RJ45
855-11656	SSFx-SM1310/LONG-SC	1	60 km	1	RJ45
855-11657	SSFx-SM1550/LONG-SC	1	60 km	1	RJ45

**These products have single-strand fiber technology. Deploy in pairs or connect another compatible B&B IMC LLC single-strand fiber product.

**MiniMc TP-TX/FX also available in CWDM Fiber.
Call for details.**

Smallest, Most Reliable Switching Media Converter

MiniMc LFPT



SPECIFICATIONS

TECHNICAL

IEEE 802.3 10Base-T twisted pair
 IEEE 802.3u 100Base-TX twisted pair
 Supports jumbo packets up to 1916 bytes
 Plug-and-play operation
 RJ-45, ST or SC and SFP connectors available 50/125 μ m or 62.5/125 μ m multi-mode fiber
 9/125 μ m single-mode fiber
 Available with single-strand fiber support
 Country-specific, high-reliability power adapter
 Auto Negotiation, Auto-Cross for MDI/MDIX
 Layer 2 packet switching, store and forward (forwarding rate: 14,881 pps for 10 Mbps, 148,100 pps for 100 Mbps)
 Status LEDs
 Link Fault Pass Through

MECHANICAL

Dimensions 0.83"H x 1.80"W x 3.35"D
 (2.11 x 4.57 x 8.51 cm)
 Shipping Weight 0.7 lbs (.317 kg)

POWER

5 VDC, 500mA
 AC Adapter: +32° F to +122° F (0° C to +50° C)

ENVIRONMENTAL

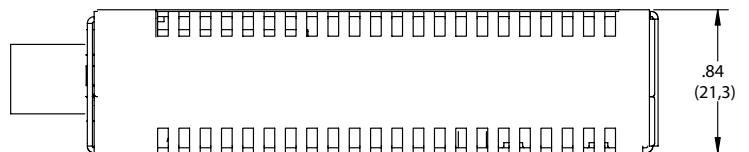
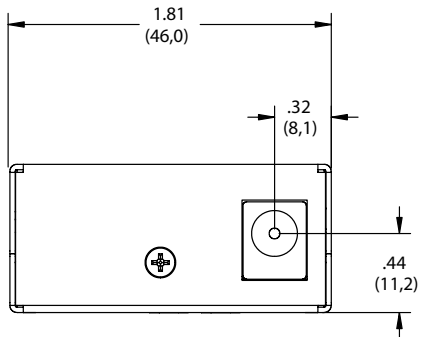
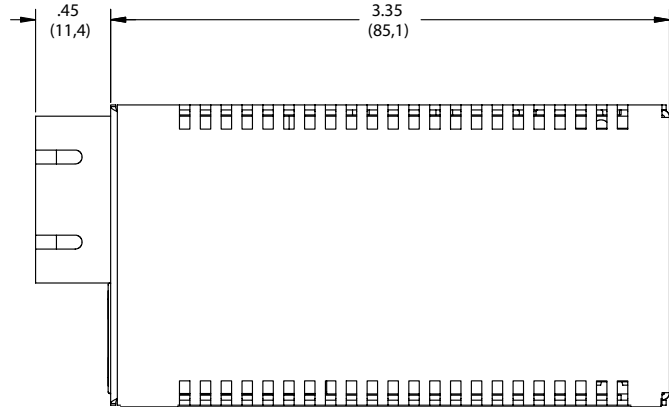
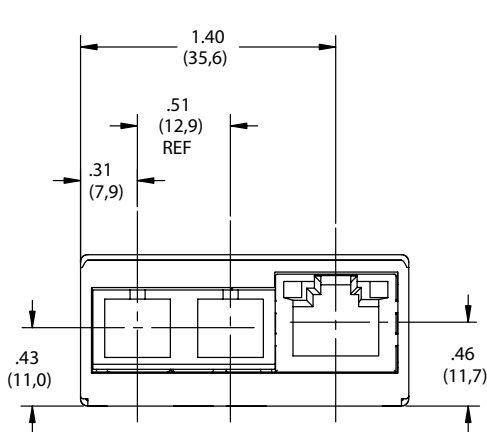
Operating Temperature: +32° F to +122° F (0° C to +50° C)
 Storage Temperature: -31° F to +167° F (-35° C to +75° C);
 Operating Humidity 5% to 95% (non-condensing)

REGULATORY APPROVALS

FCC Class B
 UL/cUL, CSA, CE

MECHANICAL DIAGRAM

(dimensions in inches & millimeters)





www.L-TronDirect.com

800-830-9523

info@L-Tron.com

596 Fishers Station Dr | Victor, NY | 14564 | Suite 1 A

www.L-Tron.com

Get in touch with us
on social media!

